
THE ALCHEMIST HAT



Assembly instructions

Difficulty level: beginner
Completion Time 6 - 9 minutes

NECESSARY TOOLS

B&W Printer



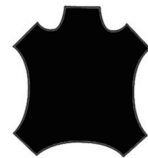
Scissors or a cutter



Hole Puncher (We recommend 1.5-1.8 mm sized holes for this build)



5 square feet of leather. (We recommend 5oz leather for this build)



Thread and needles (We recommend 1 mm waxed thread for this build)



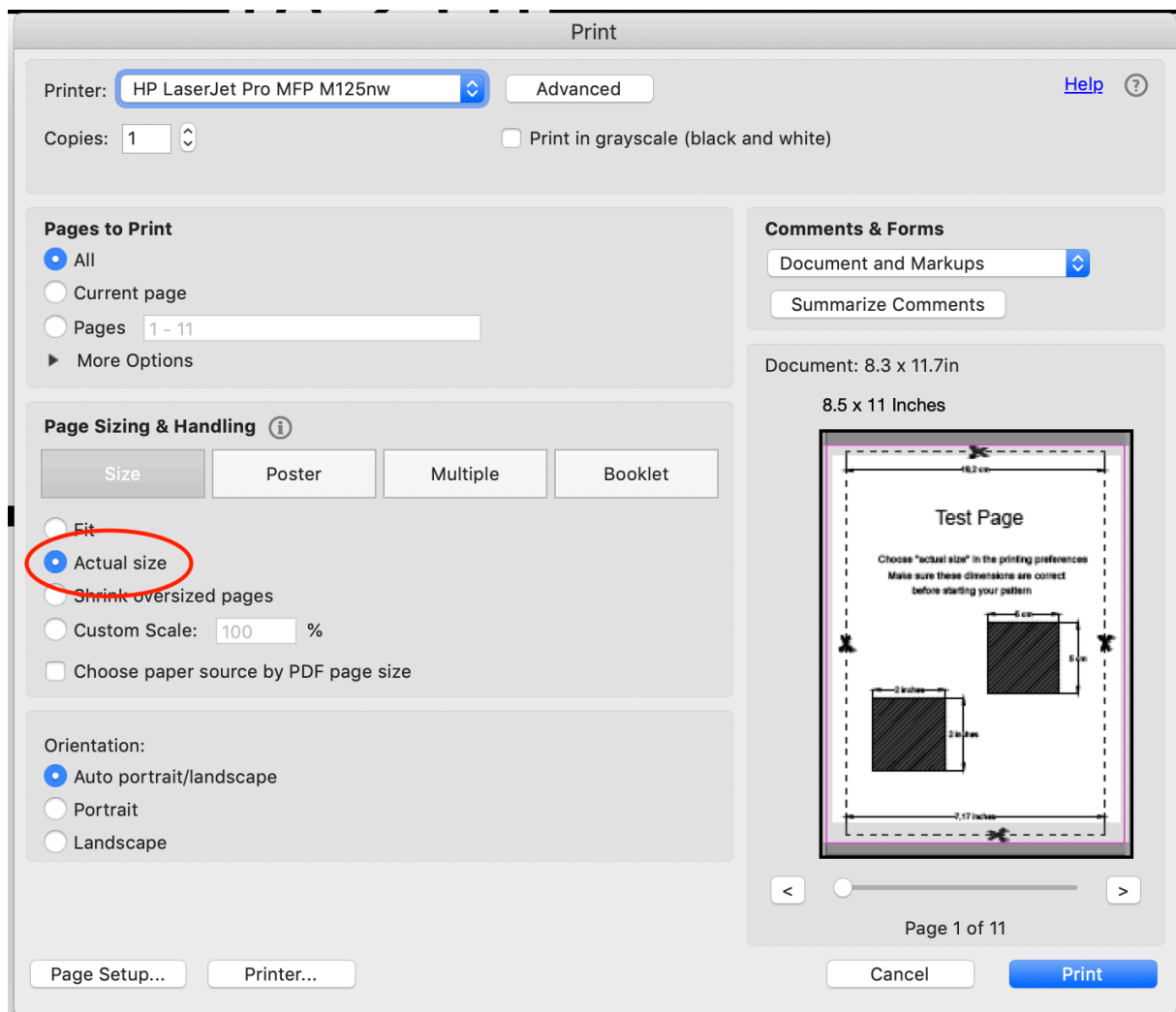
1 x 20 mm buckle

A few 5 mm rivets

12 small vials 13 mm in diameter and 35 mm tall (optional)

PRINTING THE PATTERN

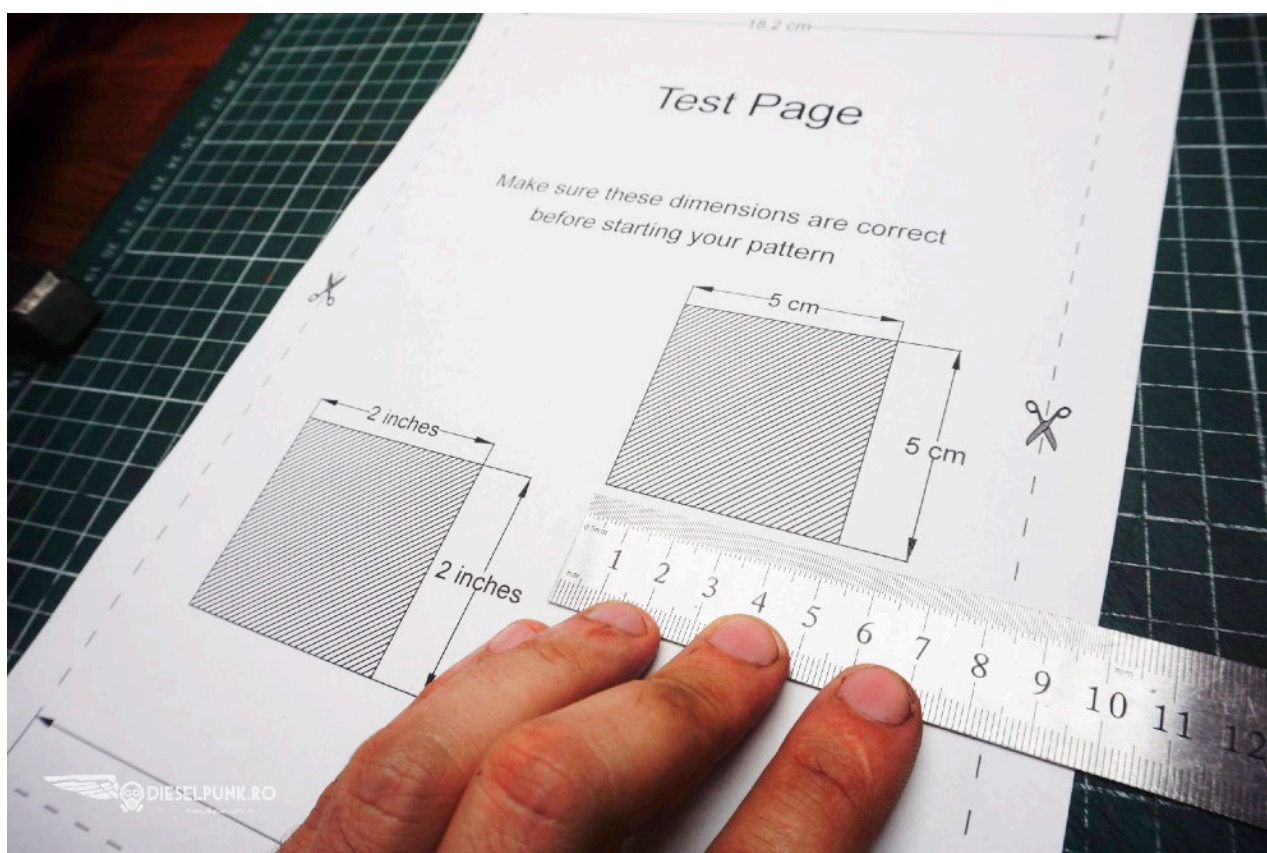
Set up your paper size to A4 and choose actual size in the printer settings



Alternatively you can use “letter” format which is approximately the same size and will not impact the size of the product significantly

Print all the patterns.

The first page is a measuring reference and you can use a ruler to make sure it matches the square. That means the rest of the pattern will print on the right size



In order to further help with your build, we filmed the entire process from the start to finish.
Please access your instructional video here:

<https://youtu.be/afjC18nhKc4>

Would love to see what you did, so please share or leave a review on Etsy.

Stuck and need help? go ahead and send us a message, someone is always around to give you a hand

Thank you for constructing your hat with our patterns

To further help all our clients we created this FaceBook group for everyone to share ideas and stay up to date with the latest patterns available.

Please follow the link below to join.

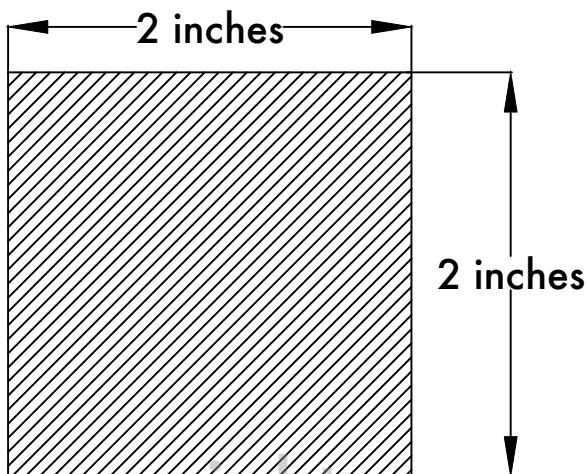
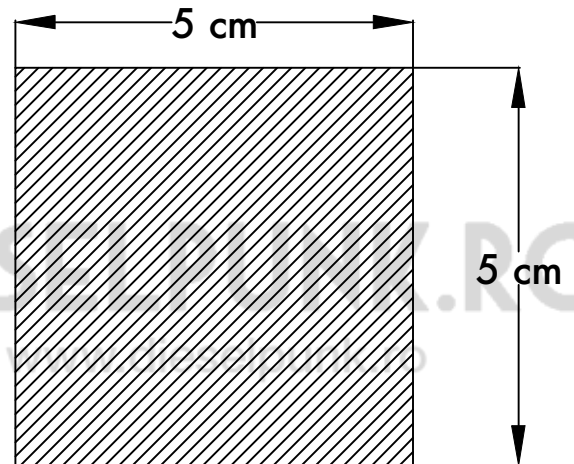
<https://www.facebook.com/groups/1434028716724087/>

Best Regards
Tony

18,2 cm

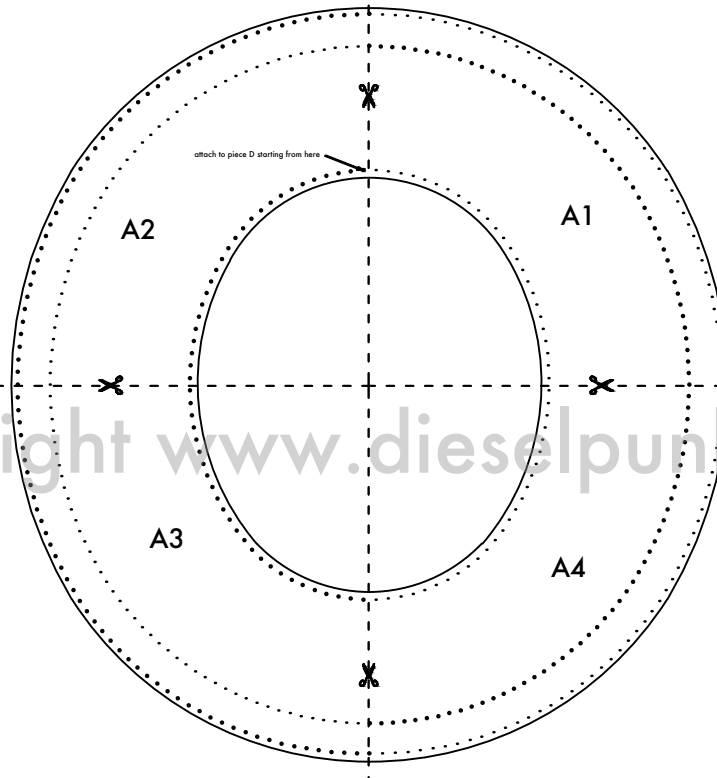
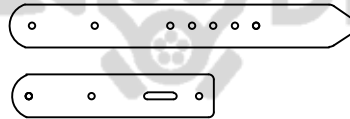
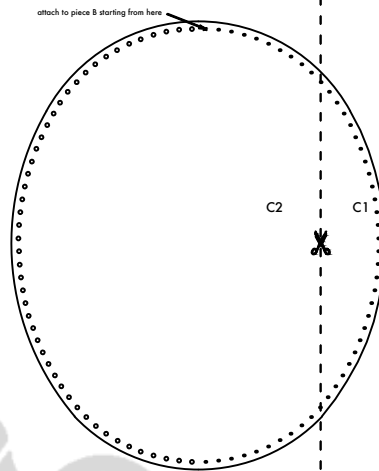
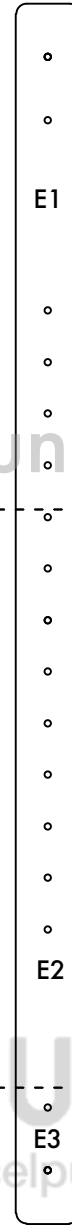
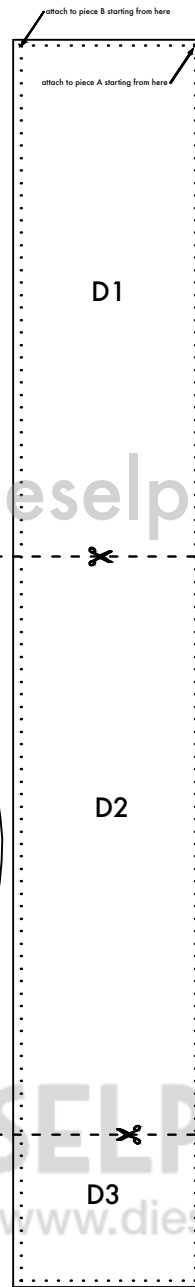
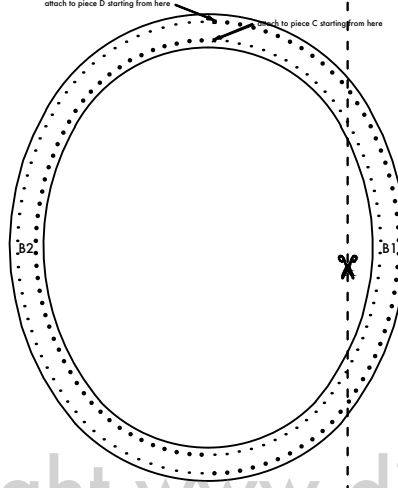
Test Page

©copyright www.dieselpunk.ro
Select A4 in the paper size printing menu
Choose "actual size" in the printing preferences
Make sure these dimensions are correct
before starting your pattern

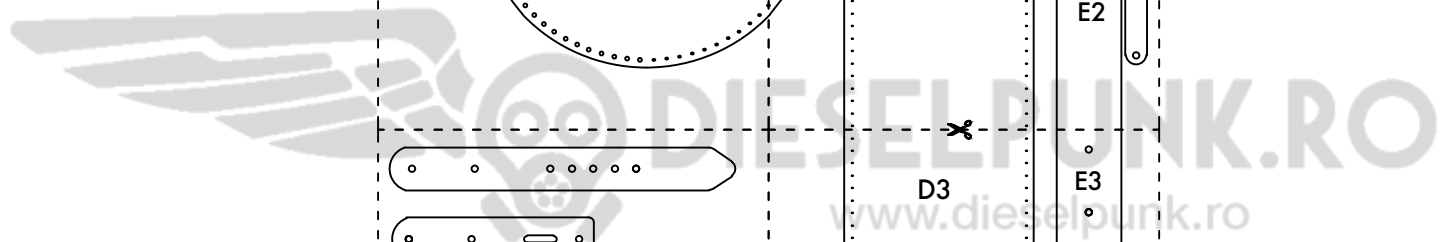


7,17 inches

©copyright www.dieselpunk.ro



©copyright www.dieselpunk.ro



attach to piece B starting from here



©copyright www.dieselpunk.ro

C

55 cm

21.5 in

DIESELPUNK.RO
www.dieselpunk.ro

©copyright www.dieselpunk.ro

attach to piece D starting from here

attach to piece C starting from here

©copyright www.dieselpunk.ro

B

55 cm

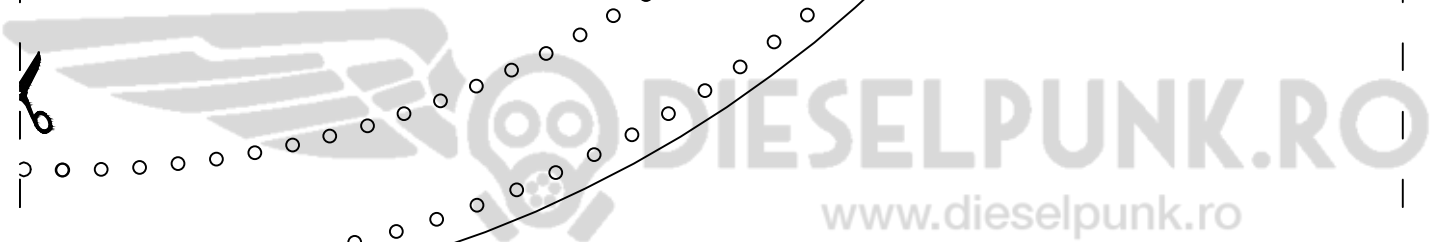
21.5 in



©copyright www.dieselpunk.ro

©copyright www.dieselpunk.ro

A4



©copyright www.dieselpunk.ro

55 cm

21.5 in

A3

©copyright www.dieselpunk.ro



©copyright www.dieselpunk.ro

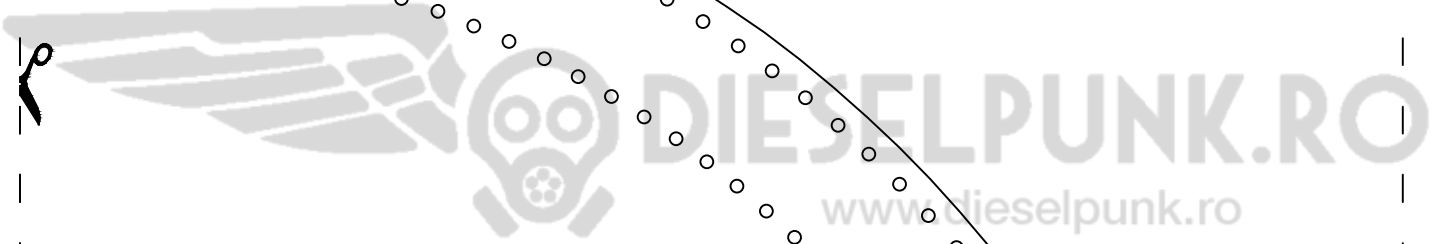
D3

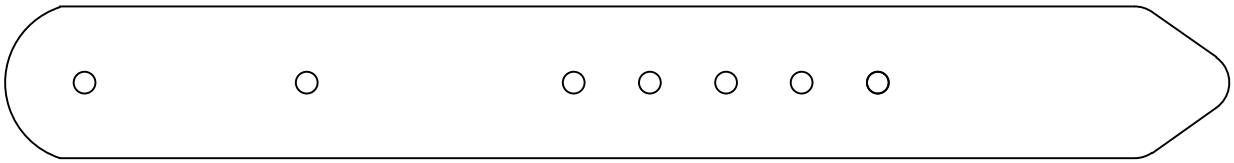
E3

©copyright www.dieselpunk.ro

A1

©copyright www.dieselpunk.ro





©copyright www.dieselpunk.ro



attach to piece D starting from here

A2

©copyright www.dieselpunk.ro

©copyright www.dieselpunk.ro

D2

F2



DIESELPUNK.RO

www.dieselpunk.ro

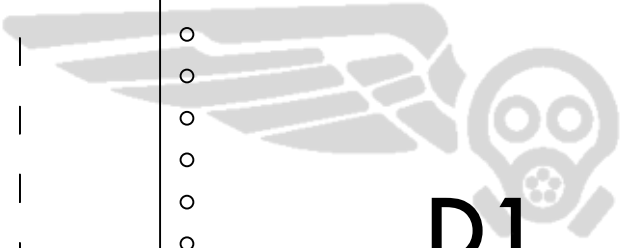
©copyright www.dieselpunk.ro

E2

attach to piece B starting from here

attach to piece A starting from here

©copyright www.dieselpunk.ro



D1

E1

F1

©copyright www.dieselpunk.ro



attach to piece B starting from here



©copyright www.dieselpunk.ro

C

56 cm
22 in

DIESELPUNK.RO
www.dieselpunk.ro

©copyright www.dieselpunk.ro

attach to piece D starting from here

attach to piece C starting from here

©copyright www.dieselpunk.ro

B

56 cm

22 in



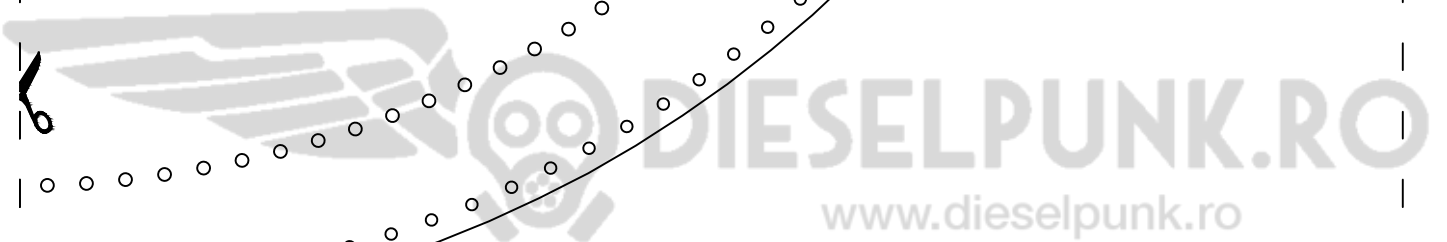
DIESELPUNK.RO

www.dieselpunk.ro

©copyright www.dieselpunk.ro

©copyright www.dieselpunk.ro

A4

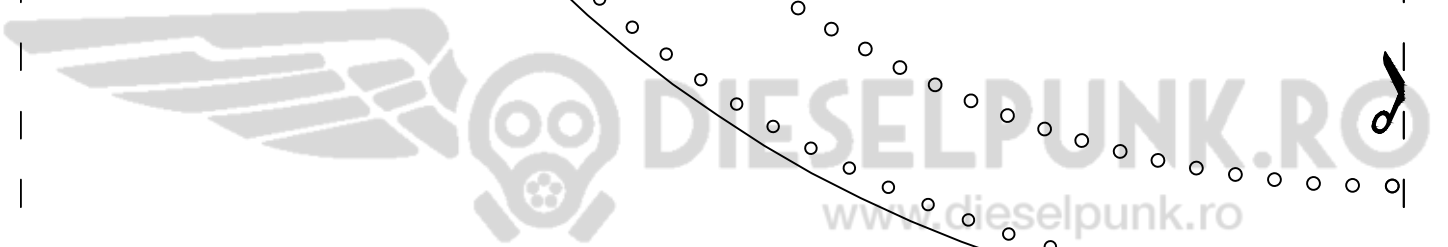


©copyright www.dieselpunk.ro

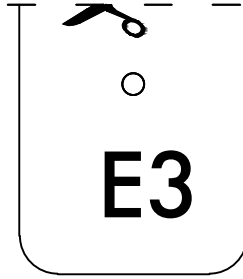
56 cm
22 in

A3

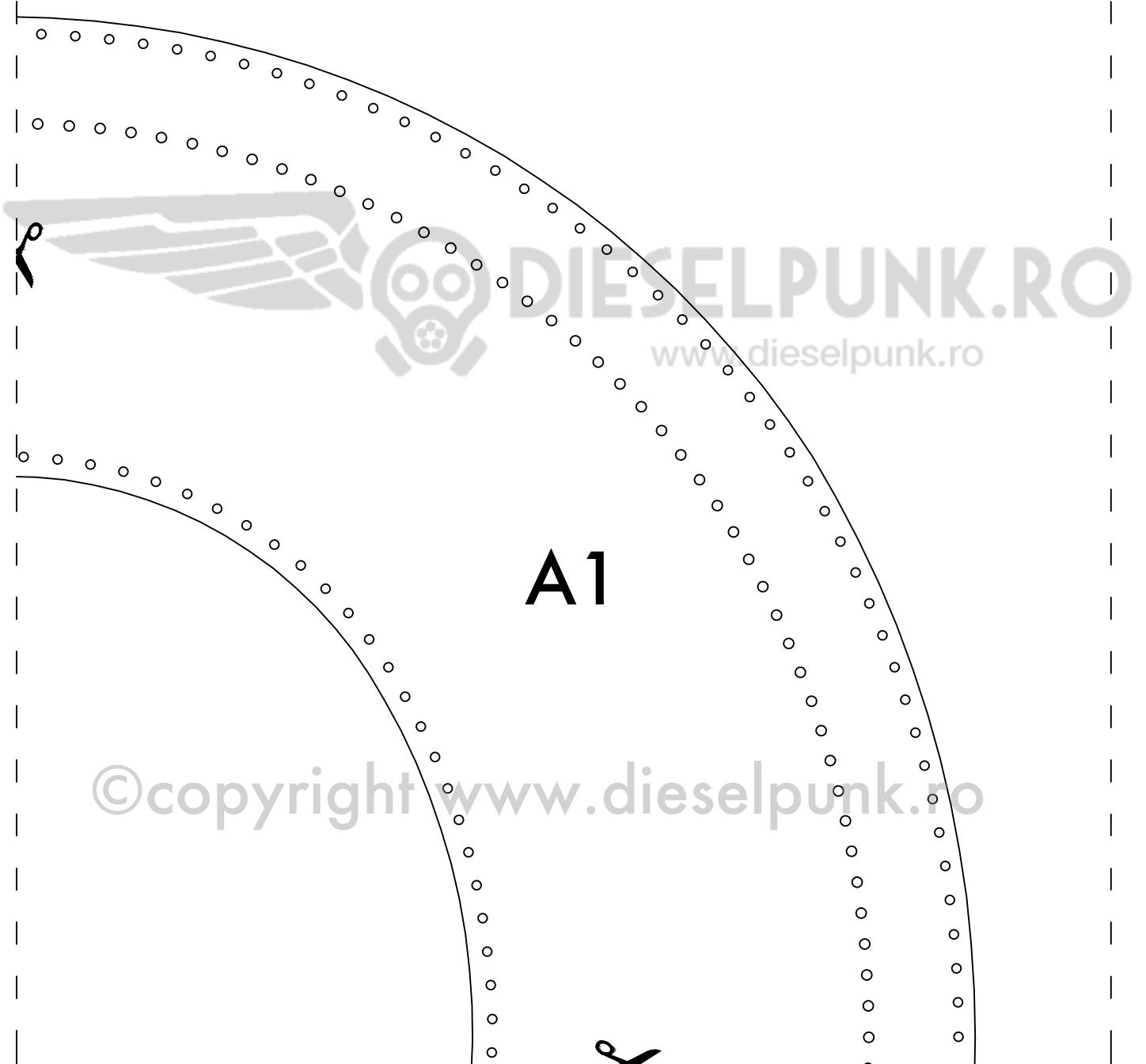
©copyright www.dieselpunk.ro



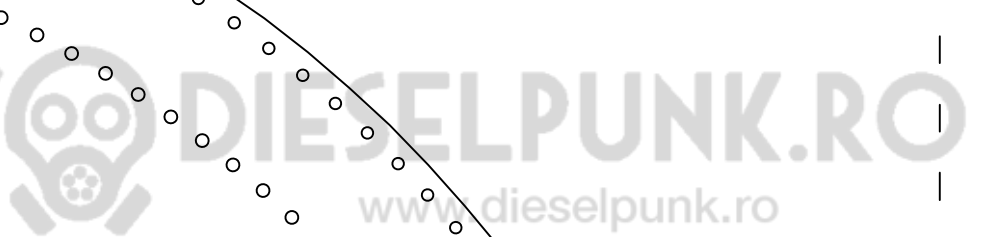
©copyright www.dieselpunk.ro

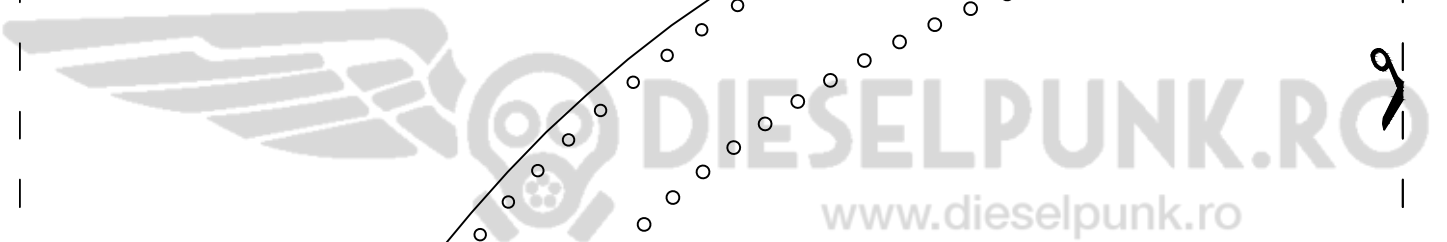
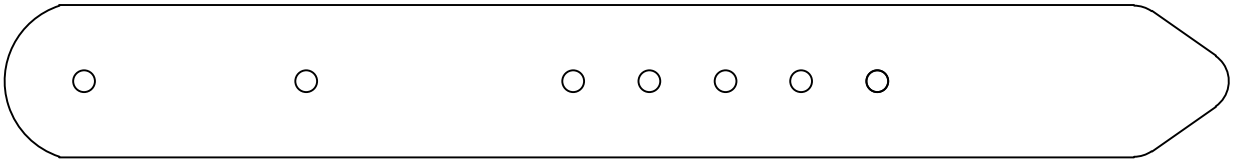


©copyright www.dieselpunk.ro

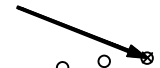


©copyright www.dieselpunk.ro





attach to piece D starting from here



A2

©copyright www.dieselpunk.ro



©copyright www.dieselpunk.ro

D2

F2



DIESELPUNK.RO

www.dieselpunk.ro

©copyright www.dieselpunk.ro

E2

attach to piece B starting from here

attach to piece A starting from here

©copyright www.dieselpunk.ro

D1

E1

F1

©copyright www.dieselpunk.ro

DIESELPUNK.RO
www.dieselpunk.ro



attach to piece D starting from here

attach to piece C starting from here

©copyright www.dieselpunk.ro

57 cm
22.5 in

B2



DIESELPUNK.RO
www.dieselpunk.ro

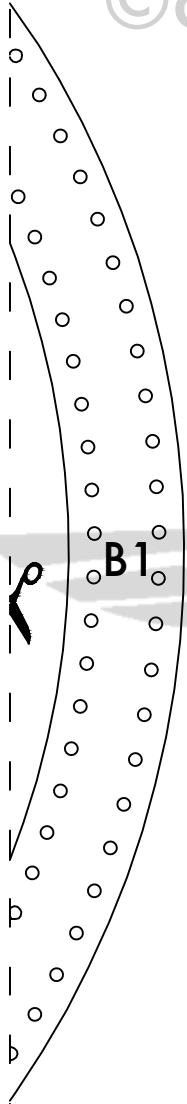
©copyright www.dieselpunk.ro



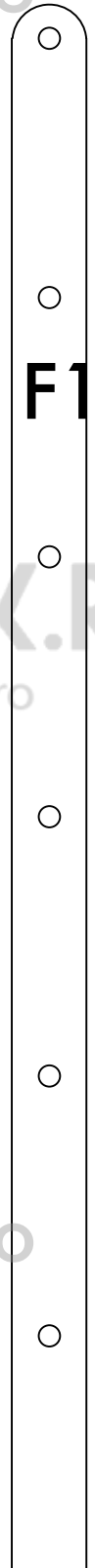
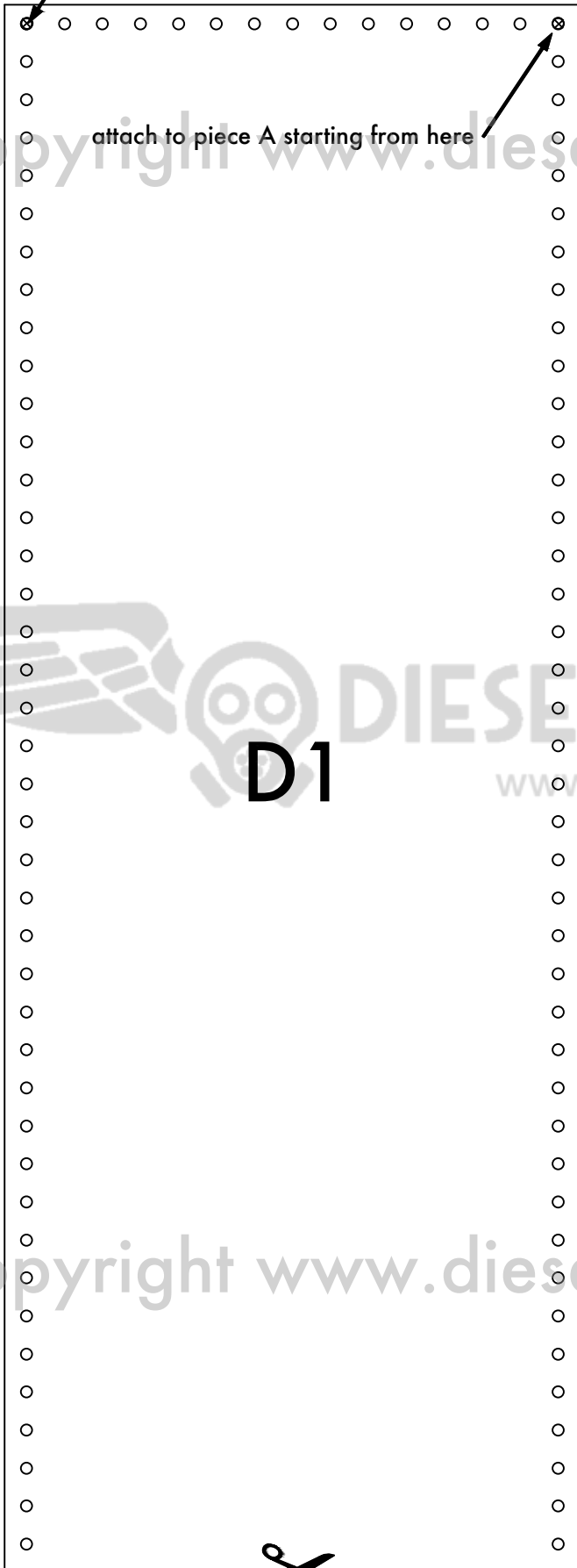
om here

attach to piece B starting from here

attach to piece A starting from here



©copyright www.dieselpunk.ro



D1

E1

F1

©copyright www.dieselpunk.ro

DIESELPUNK.RO
www.dieselpunk.ro



attach to piece B starting from here



©copyright www.dieselpunk.ro

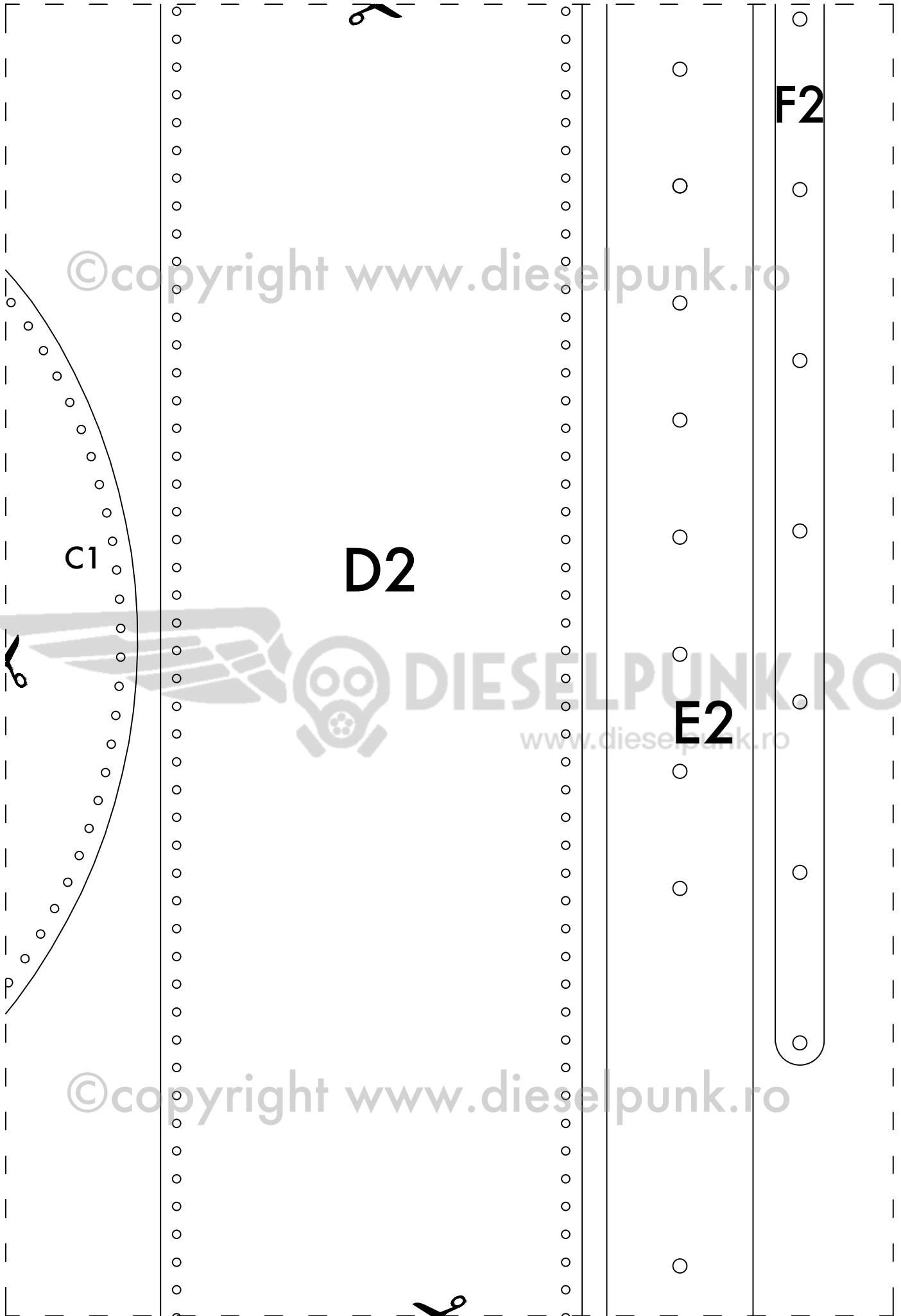
C2

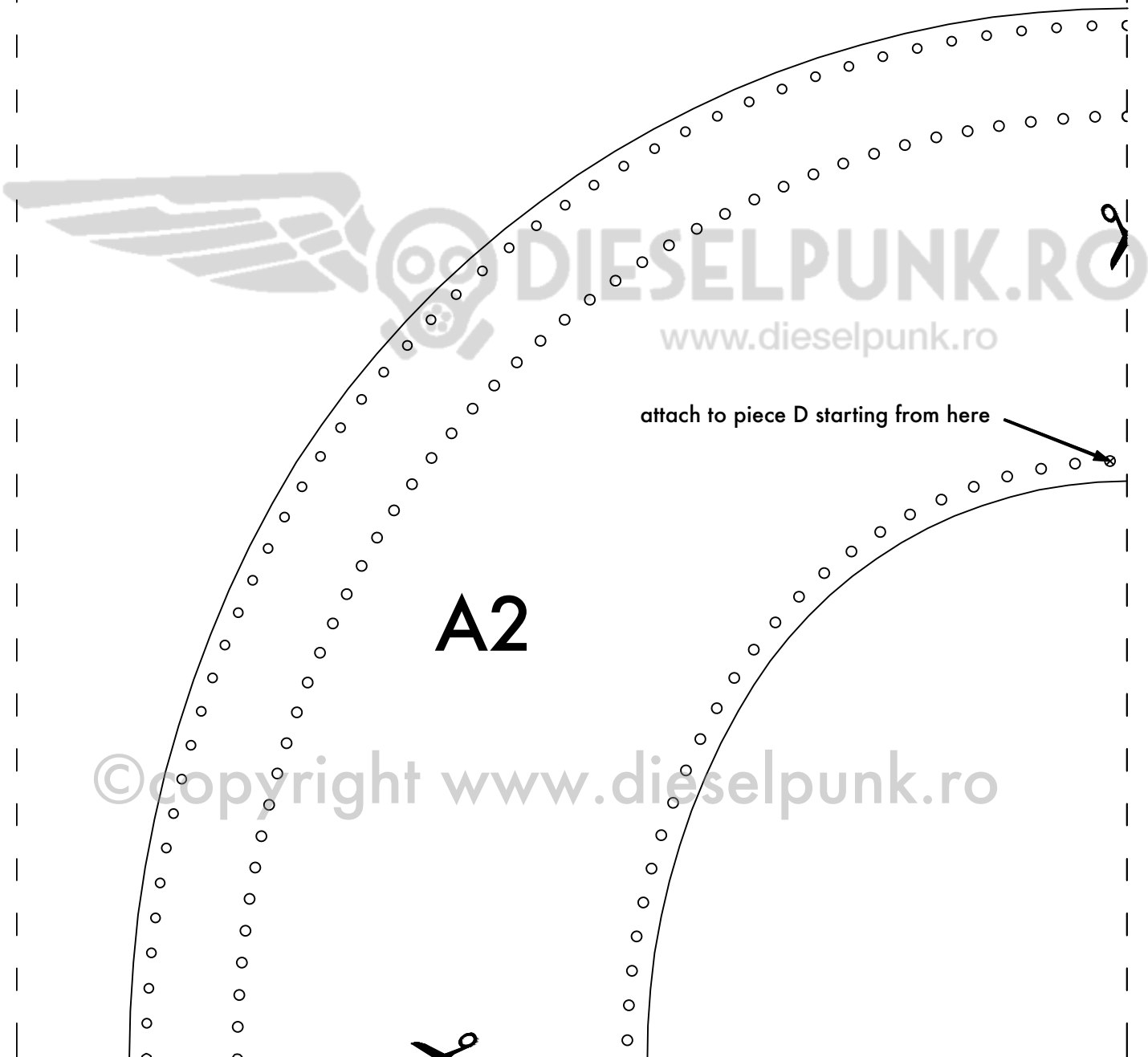
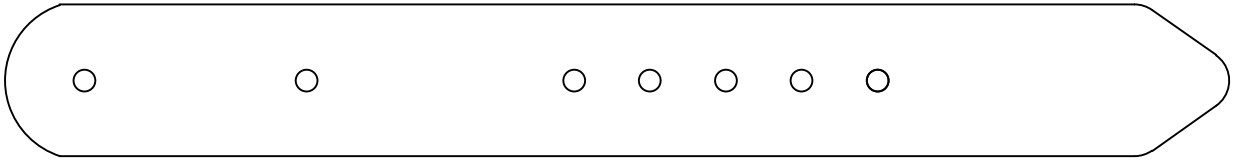


57 cm

22.5 in

©copyright www.dieselpunk.ro





©copyright www.dieselpunk.ro

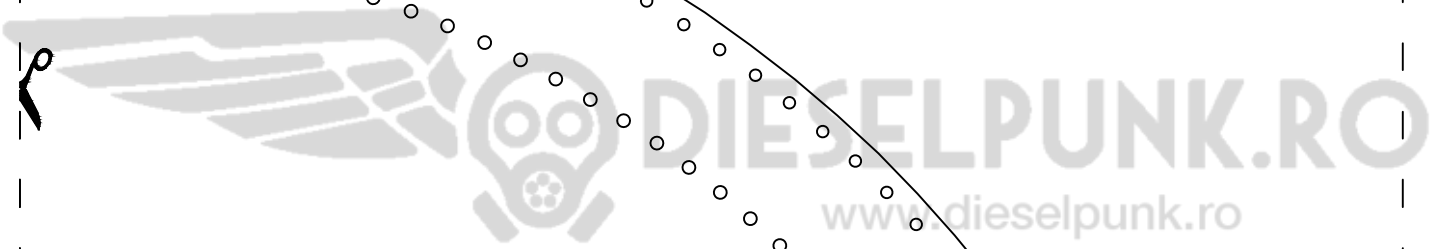
D3

E3

©copyright www.dieselpunk.ro

A1

©copyright www.dieselpunk.ro



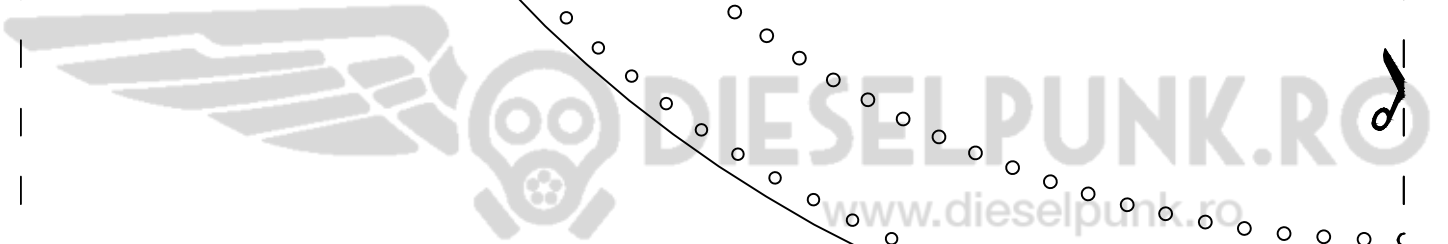


57 cm

22.5 in

©copyright www.dieselpunk.ro

A3



©copyright www.dieselpunk.ro

©copyright www.dieselpunk.ro

A4



DIESELPUNK.RO

www.dieselpunk.ro

©copyright www.dieselpunk.ro

attach to piece D starting from here

attach to piece C starting

©copyright www.dieselpunk.ro

58 cm

22 3/4 in

B2

DIESELPUNK.RO

www.dieselpunk.ro

©copyright www.dieselpunk.ro

from here

attach to piece B starting from here

attach to piece A starting from here

©copyright www.dieselpunk.ro

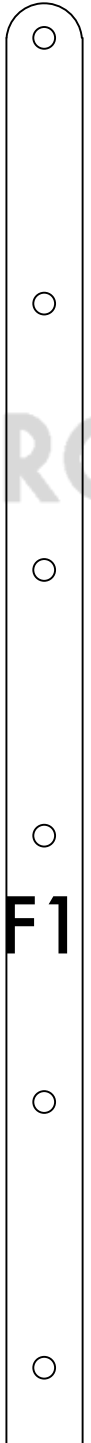
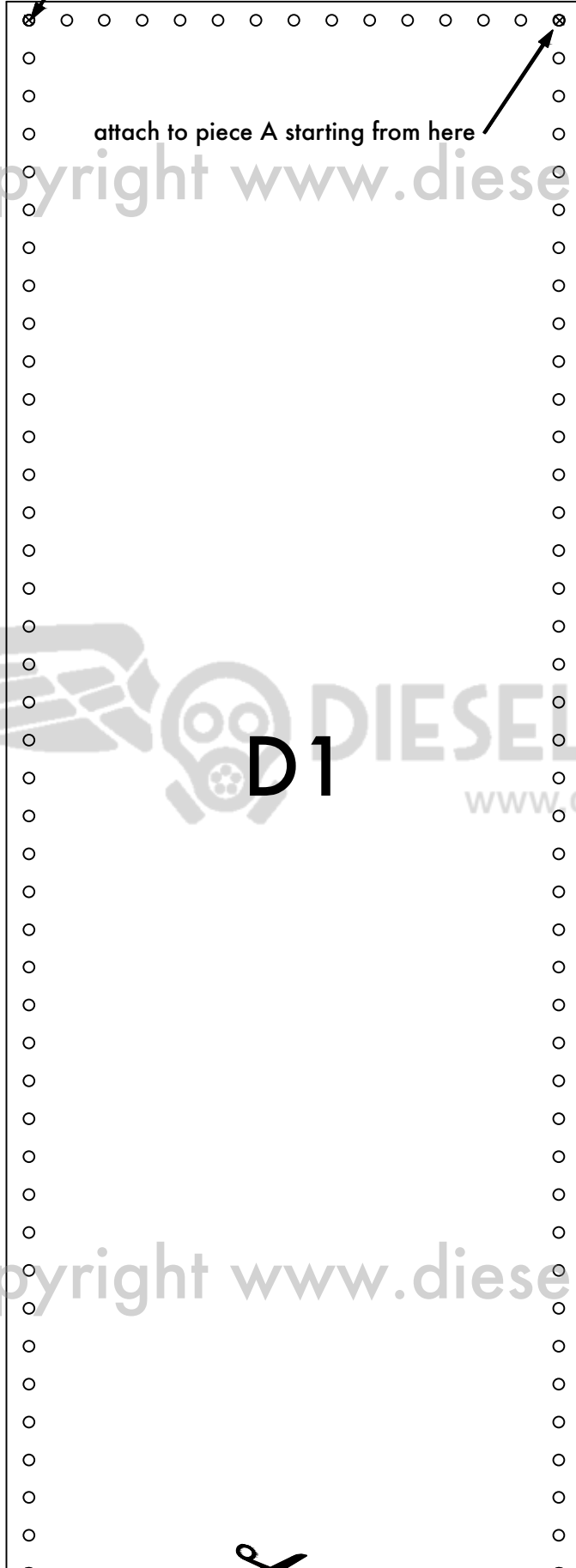
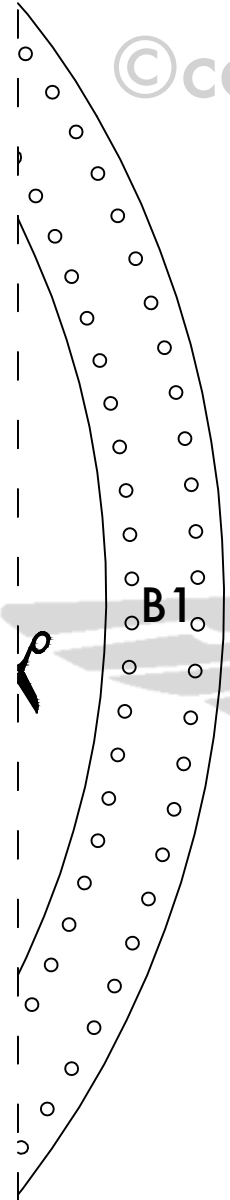
B1

D1

E1

F1

©copyright www.dieselpunk.ro



attach to piece B starting from here



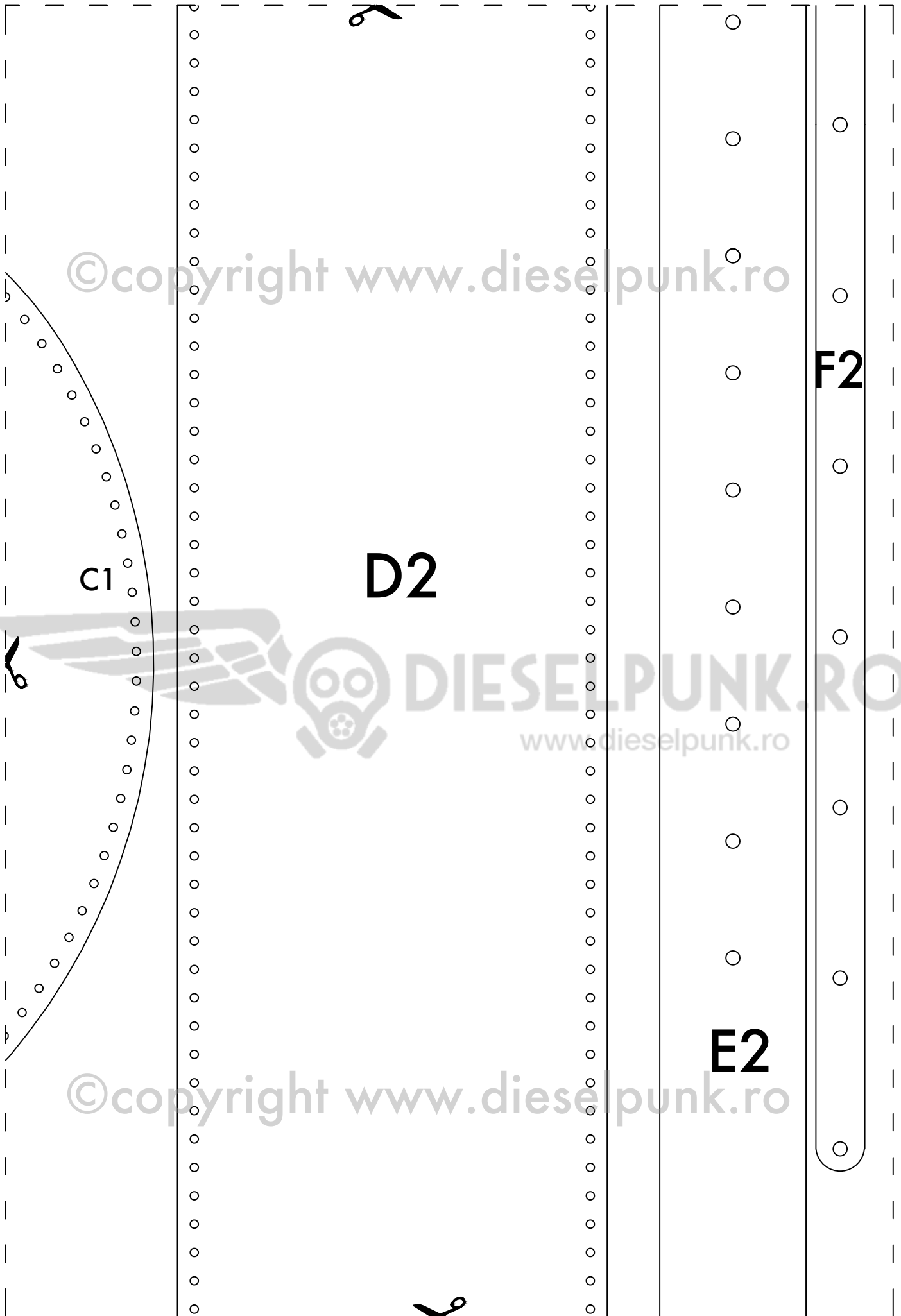
©copyright www.dieselpunk.ro

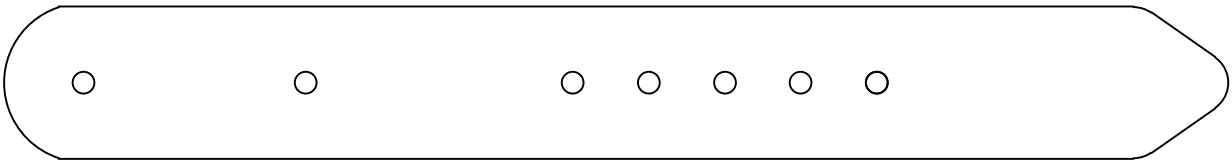
C2



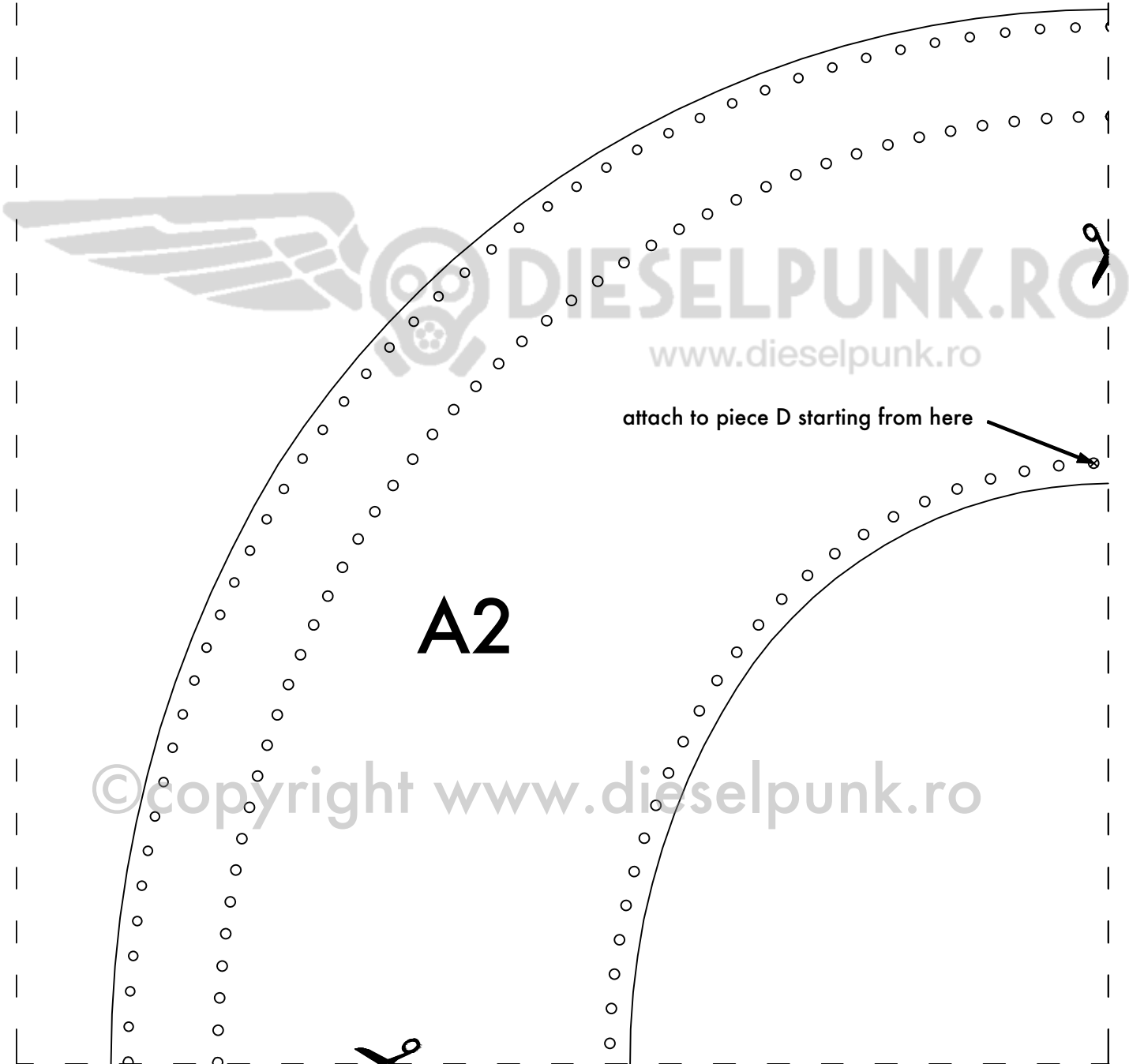
58 cm
22 3/4 in

©copyright www.dieselpunk.ro





©copyright www.dieselpunk.ro



attach to piece D starting from here

A2

©copyright www.dieselpunk.ro

DIESELPUNK.RO
www.dieselpunk.ro

D3

E3

©copyright www.dieselpunk.ro

A1

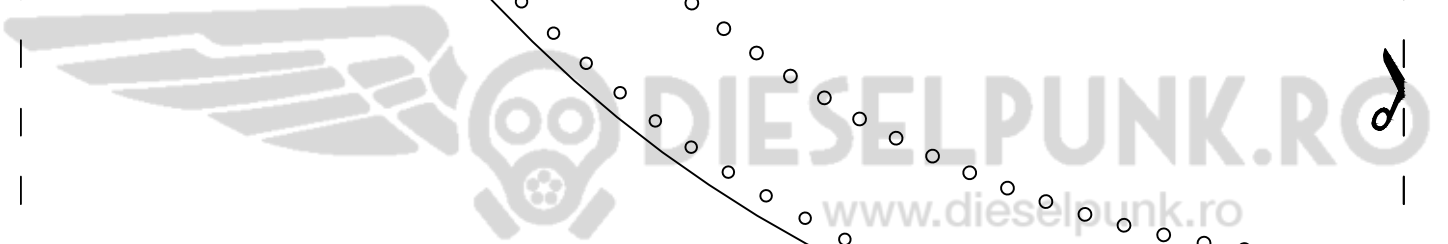
©copyright www.dieselpunk.ro



58 cm
22 3/4 in

©copyright www.dieselpunk.ro

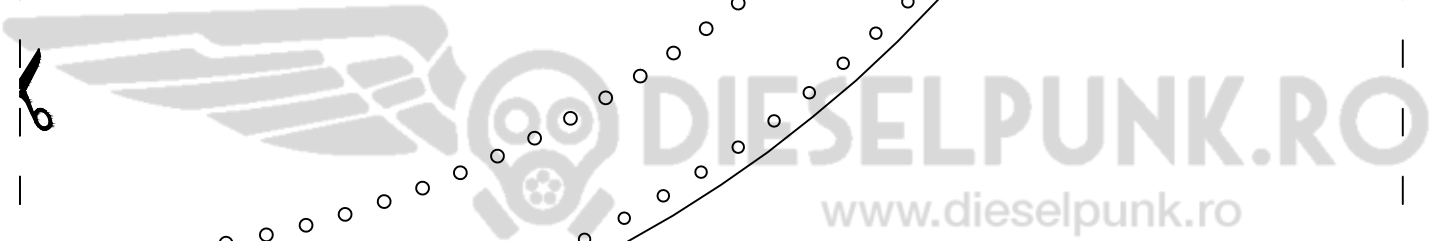
A3



©copyright www.dieselpunk.ro

©copyright www.dieselpunk.ro

A4



©copyright www.dieselpunk.ro

attach to piece D starting from here

attach to piece C starting fr

©copyright www.dieselpunk.ro

59 cm

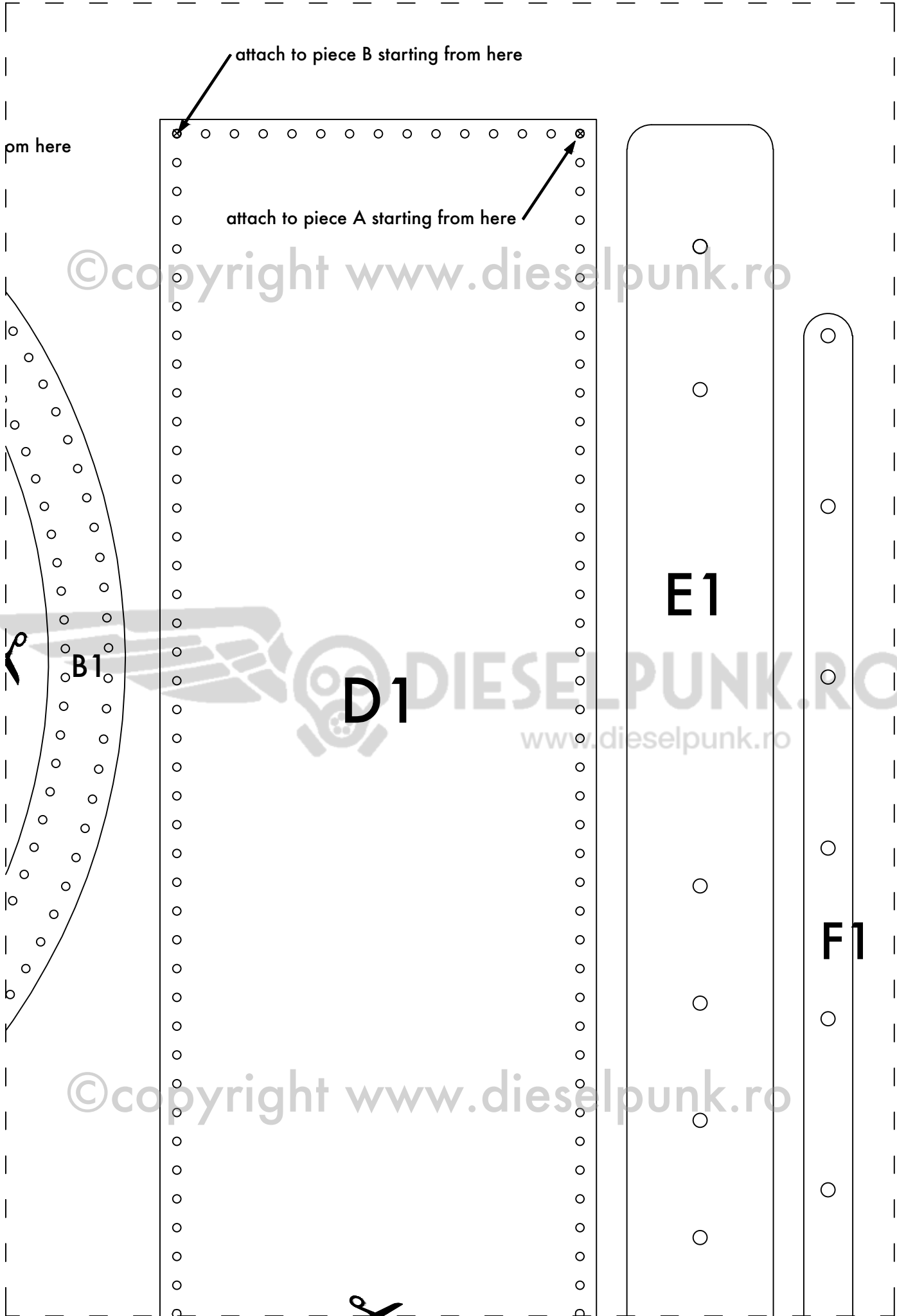
23 1/4 in

B2



DIESELPUNK.RO
www.dieselpunk.ro

©copyright www.dieselpunk.ro



attach to piece B starting from here



©copyright www.dieselpunk.ro

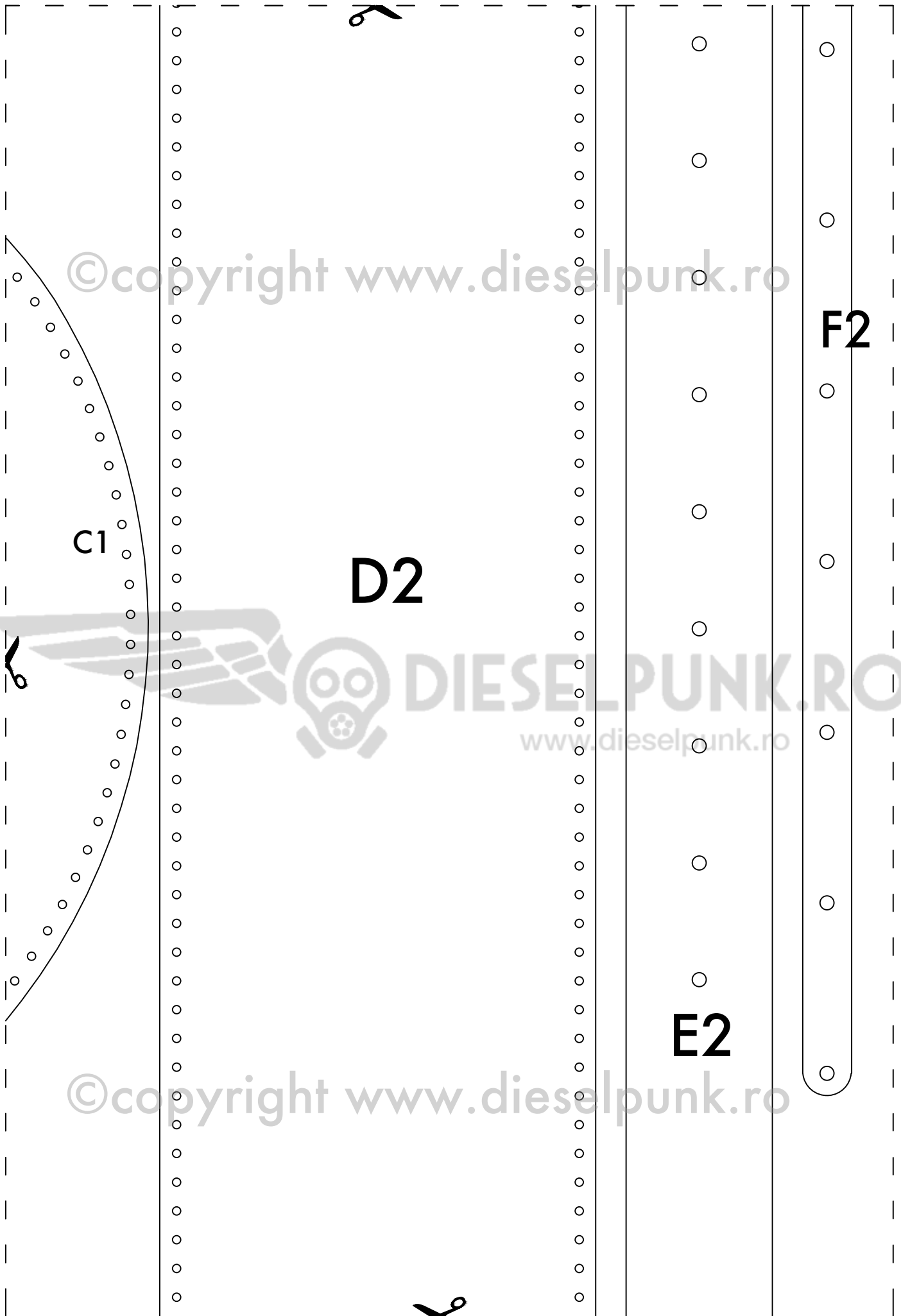
C2



59 cm

23 1/4 in

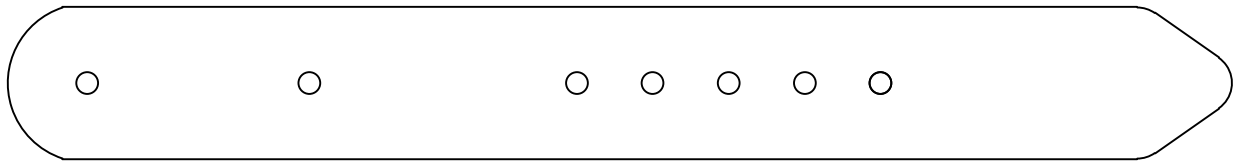
©copyright www.dieselpunk.ro



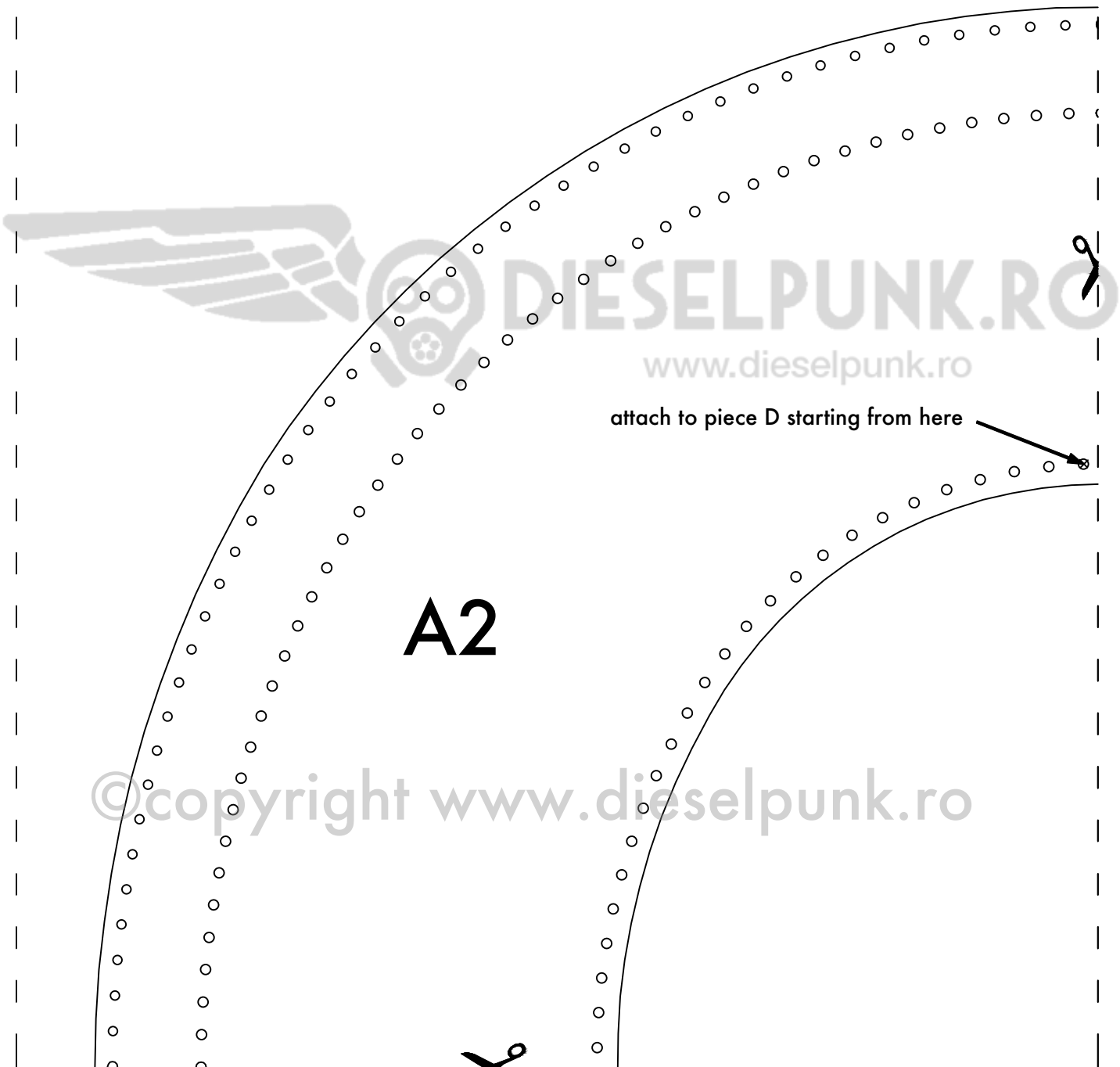
©copyright www.dieselpunk.ro

©copyright www.dieselpunk.ro





©copyright www.dieselpunk.ro



A2

attach to piece D starting from here

©copyright www.dieselpunk.ro

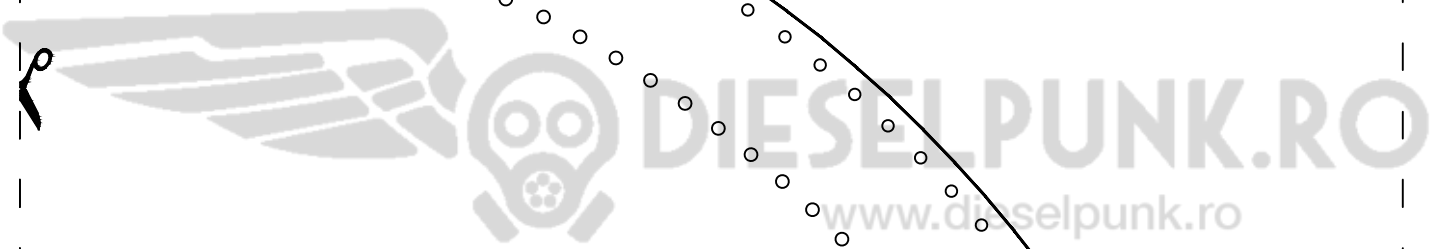
D3

E3

©copyright www.dieselpunk.ro

A1

©copyright www.dieselpunk.ro

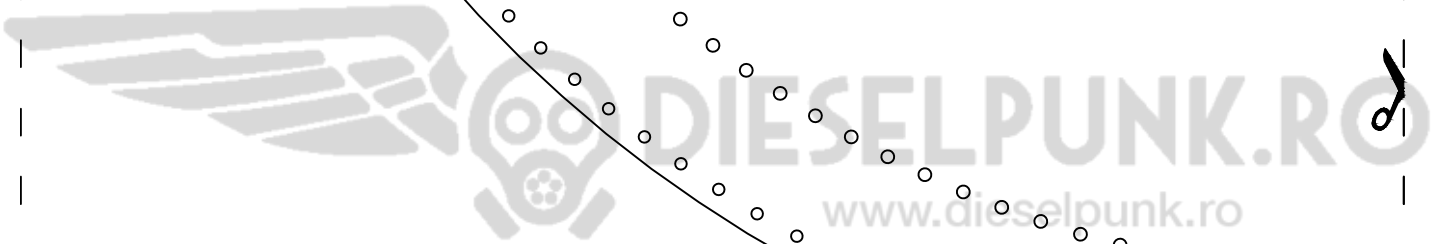


59 cm

23 1/4 in

A3

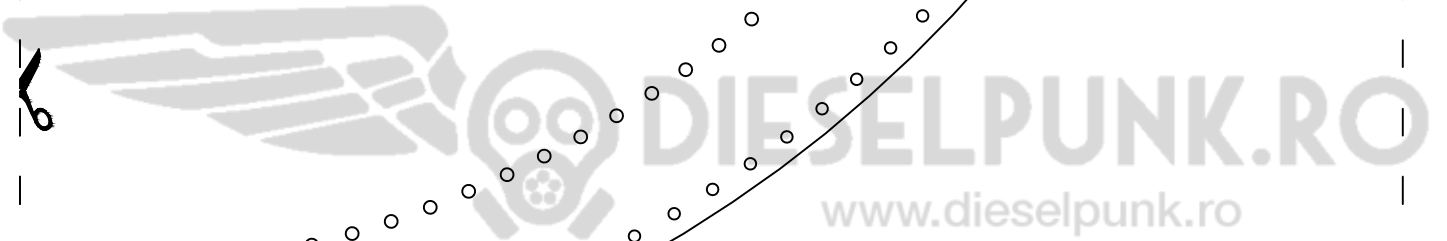
©copyright www.dieselpunk.ro



©copyright www.dieselpunk.ro

©copyright www.dieselpunk.ro

A4



©copyright www.dieselpunk.ro

attach to piece D starting from here

attach to piece C starting from here

©copyright www.dieselpunk.ro

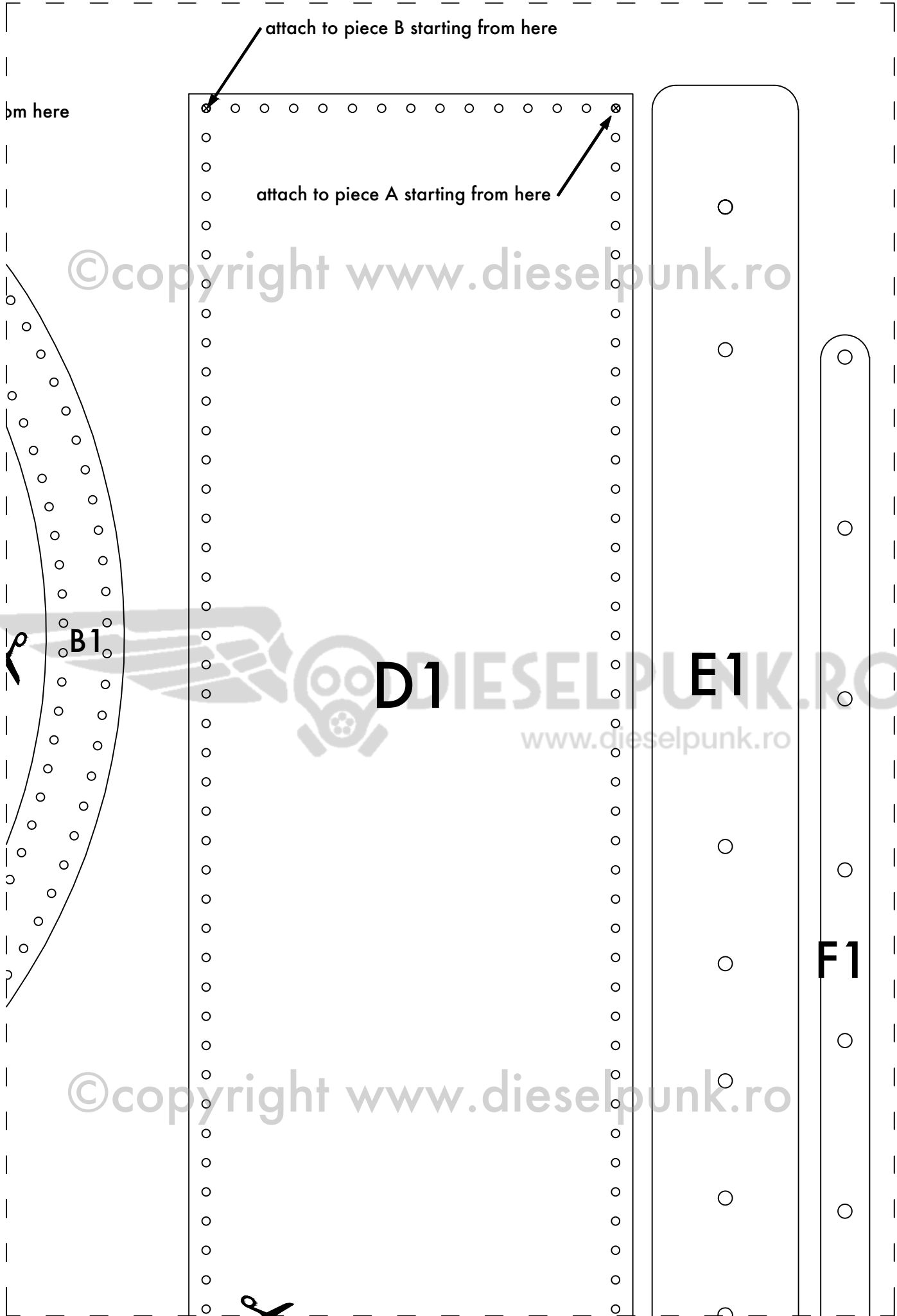
60 cm

23 3/4 in

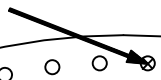
B2

DIESELPUNK.RO
www.dieselpunk.ro

©copyright www.dieselpunk.ro



attach to piece B starting from here



©copyright www.dieselpunk.ro

60 cm

23 3/4 in

C2



©copyright www.dieselpunk.ro

©copyright www.dieselpunk.ro

C1

D2

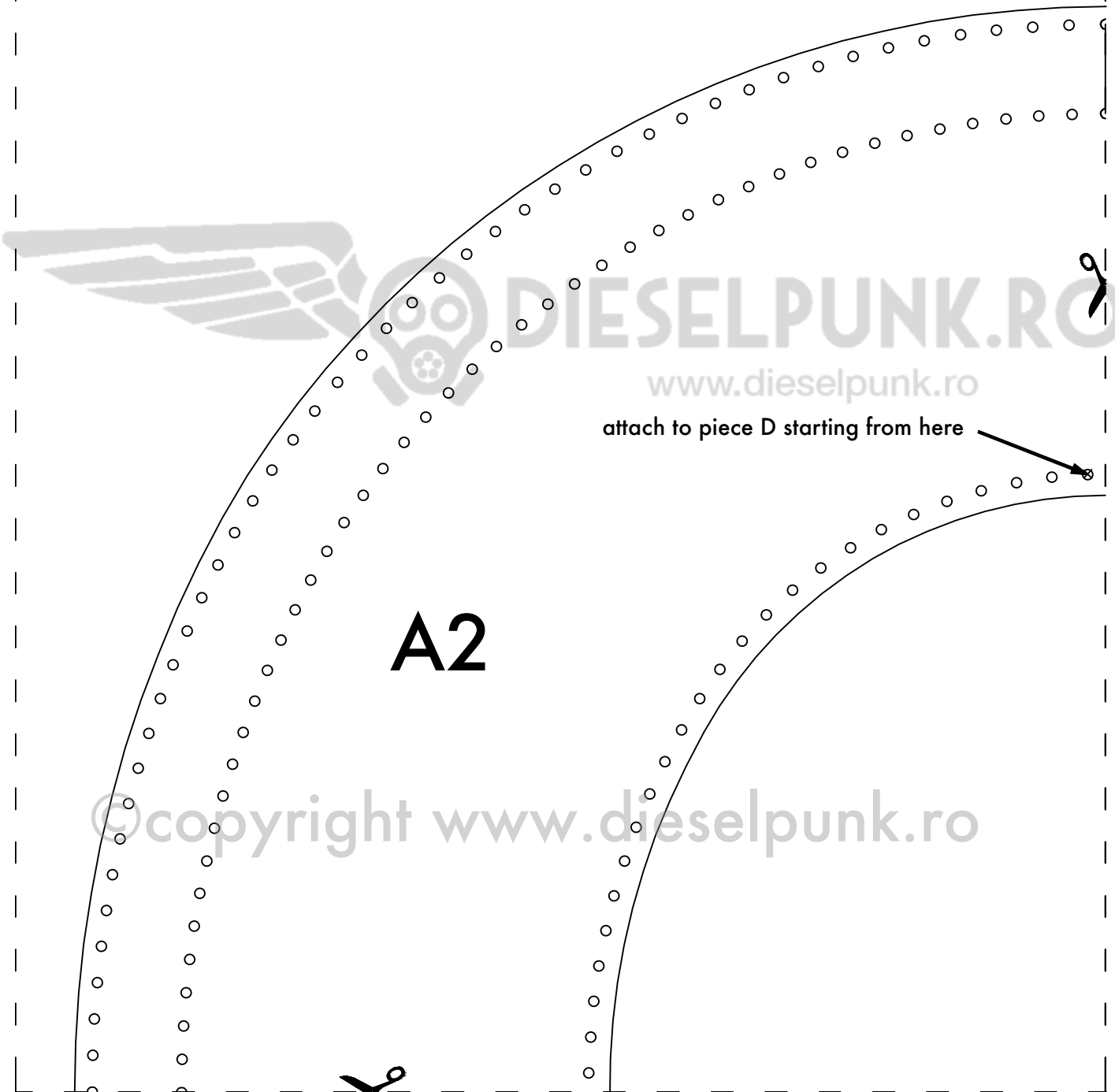
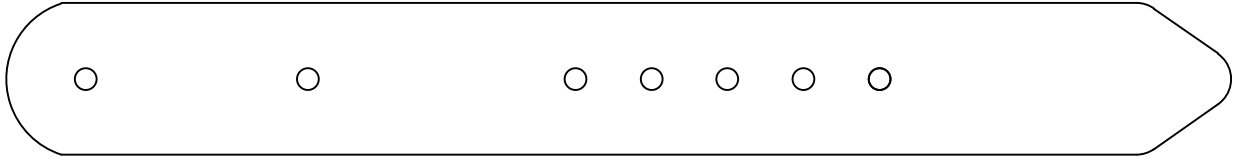
F2

DIESELPUNK.RO

www.dieselpunk.ro

©copyright www.dieselpunk.ro

E2



D3

E3

©copyright www.dieselpunk.ro

A1

©copyright www.dieselpunk.ro



DIESELPUNK.RO

www.dieselpunk.ro

©copyright www.dieselpunk.ro

A3



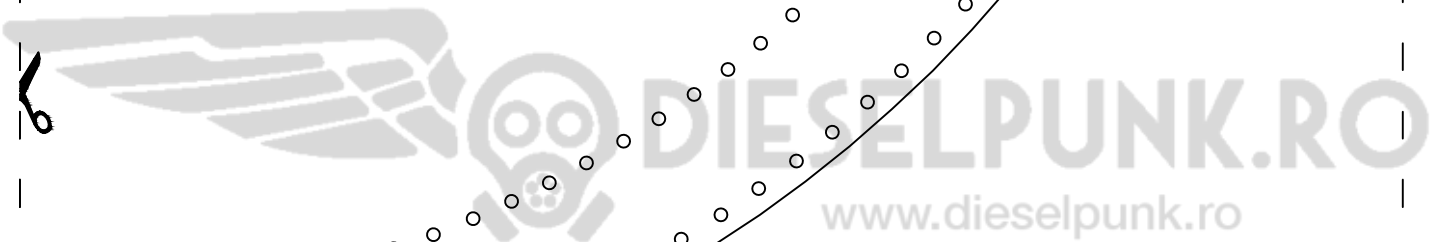
©copyright www.dieselpunk.ro

60 cm

23 3/4 in

©copyright www.dieselpunk.ro

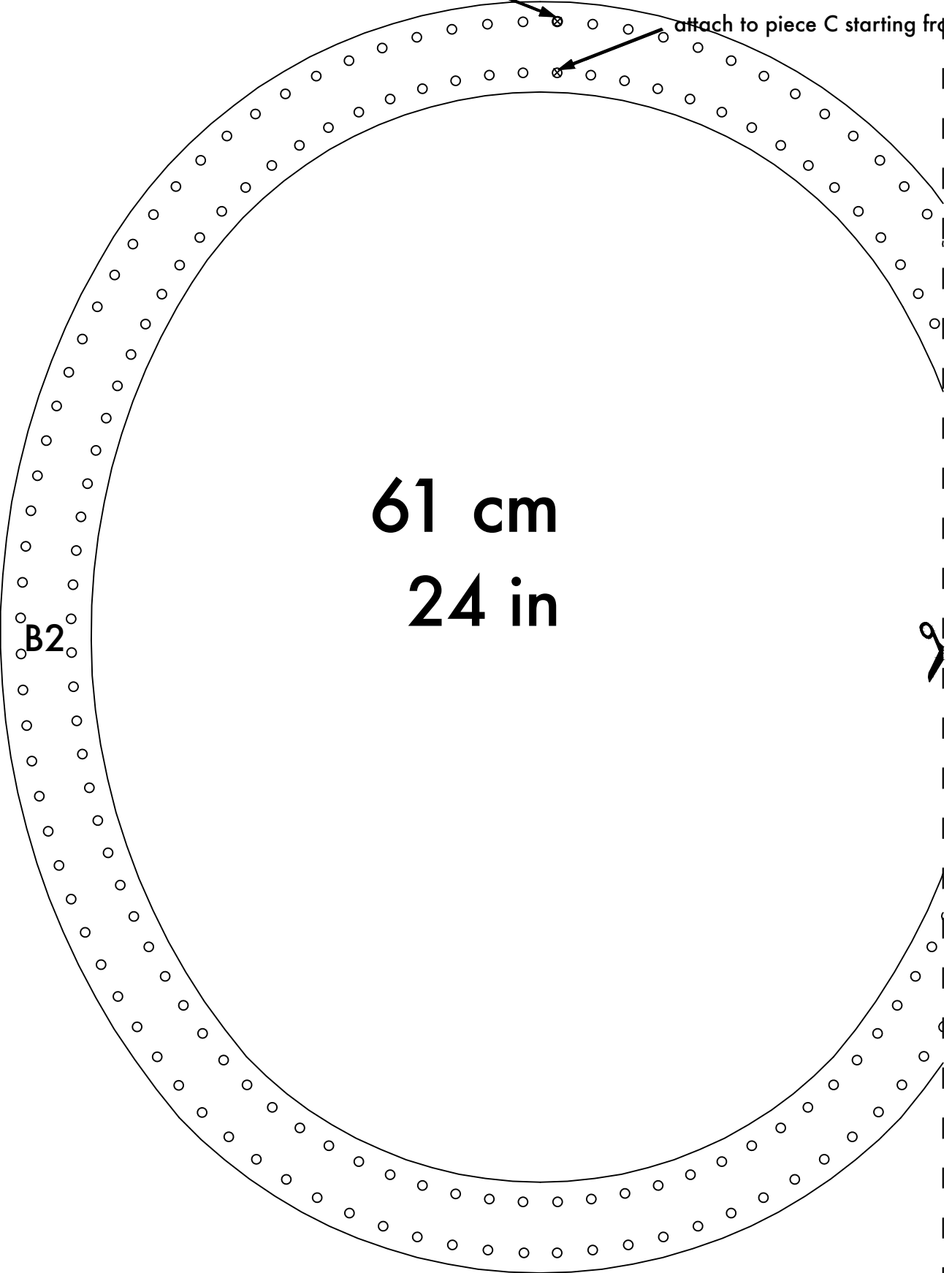
A4



©copyright www.dieselpunk.ro

attach to piece D starting from here

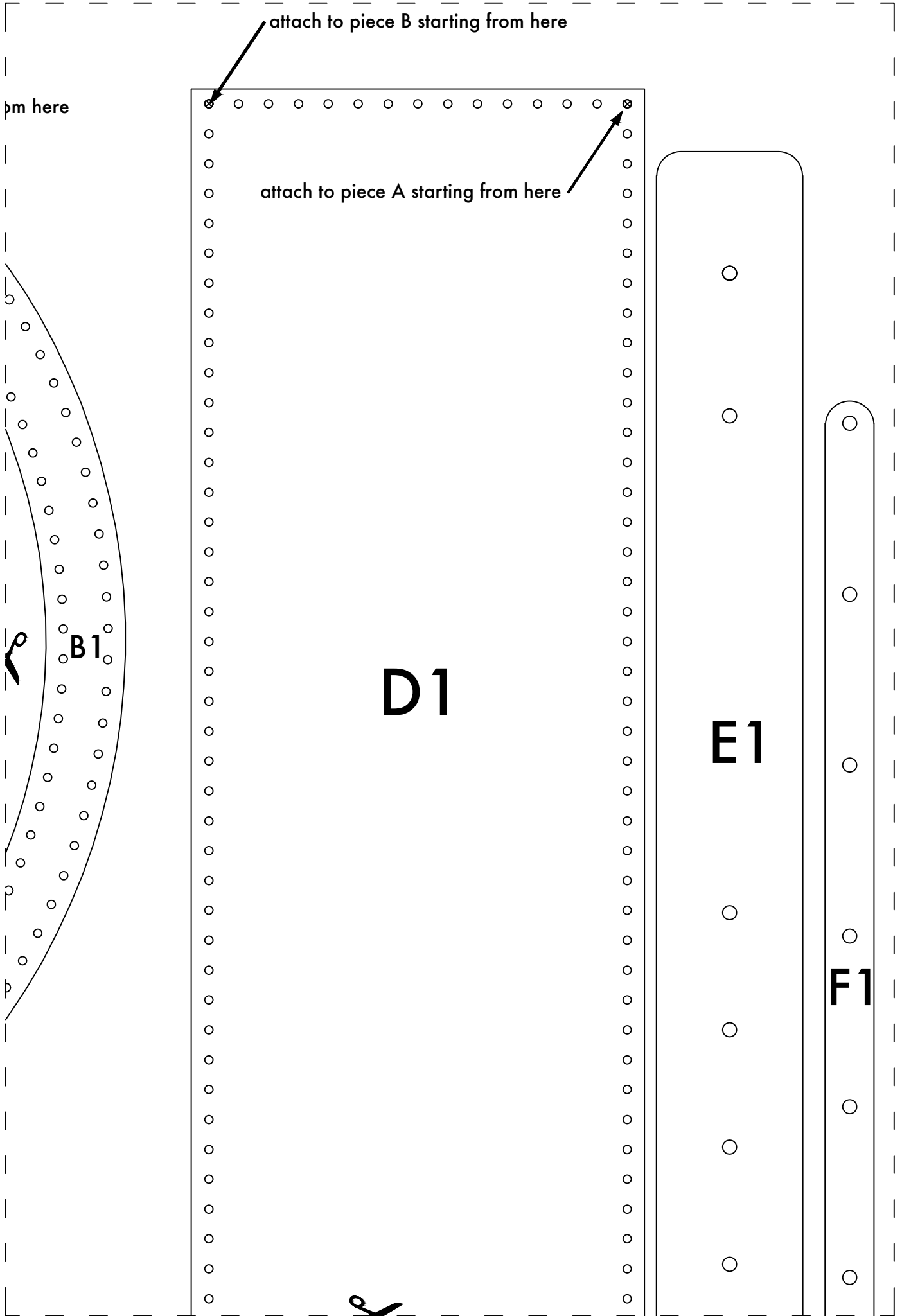
attach to piece C starting from here



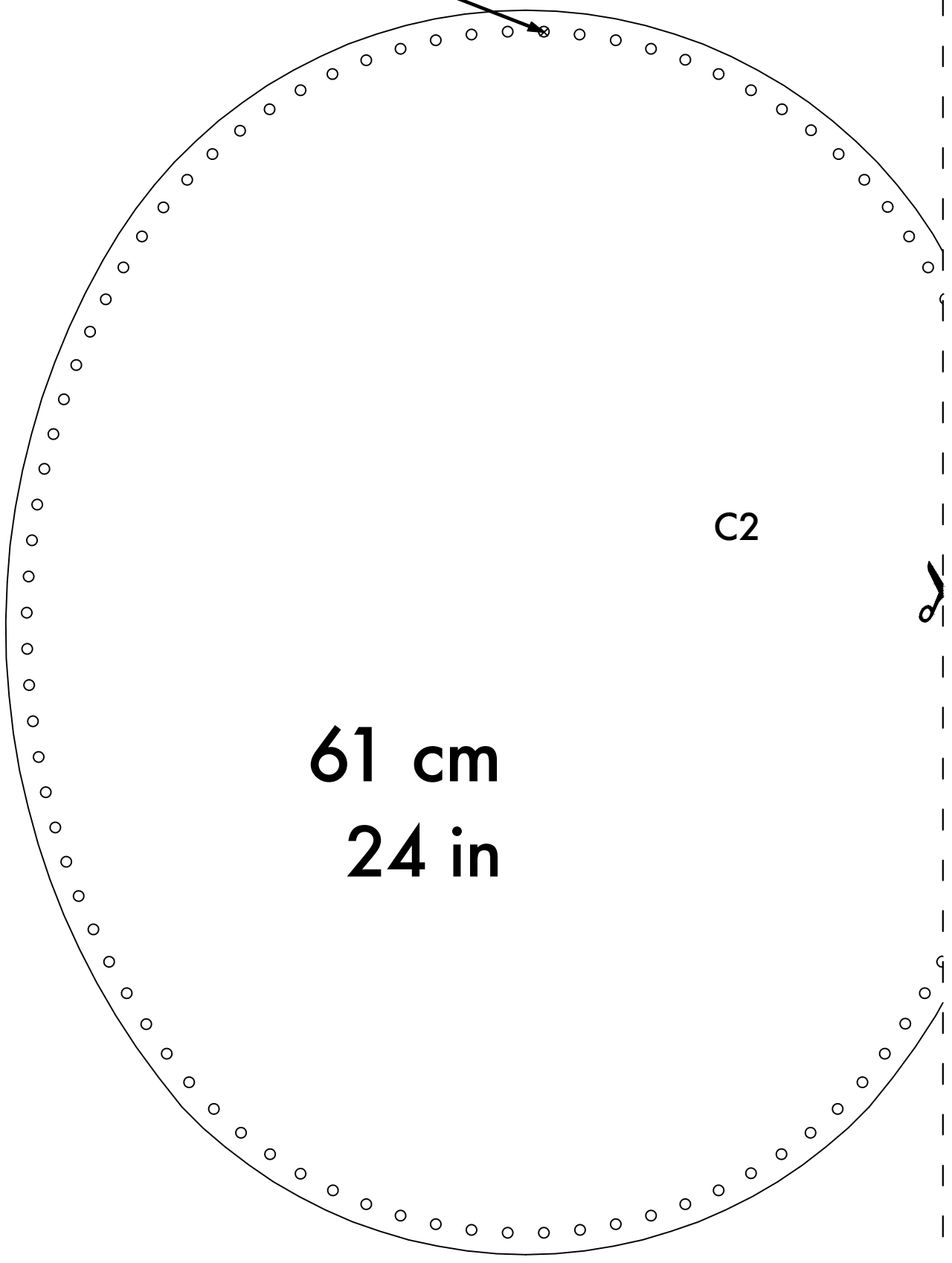
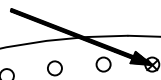
B2

61 cm
24 in





attach to piece B starting from here

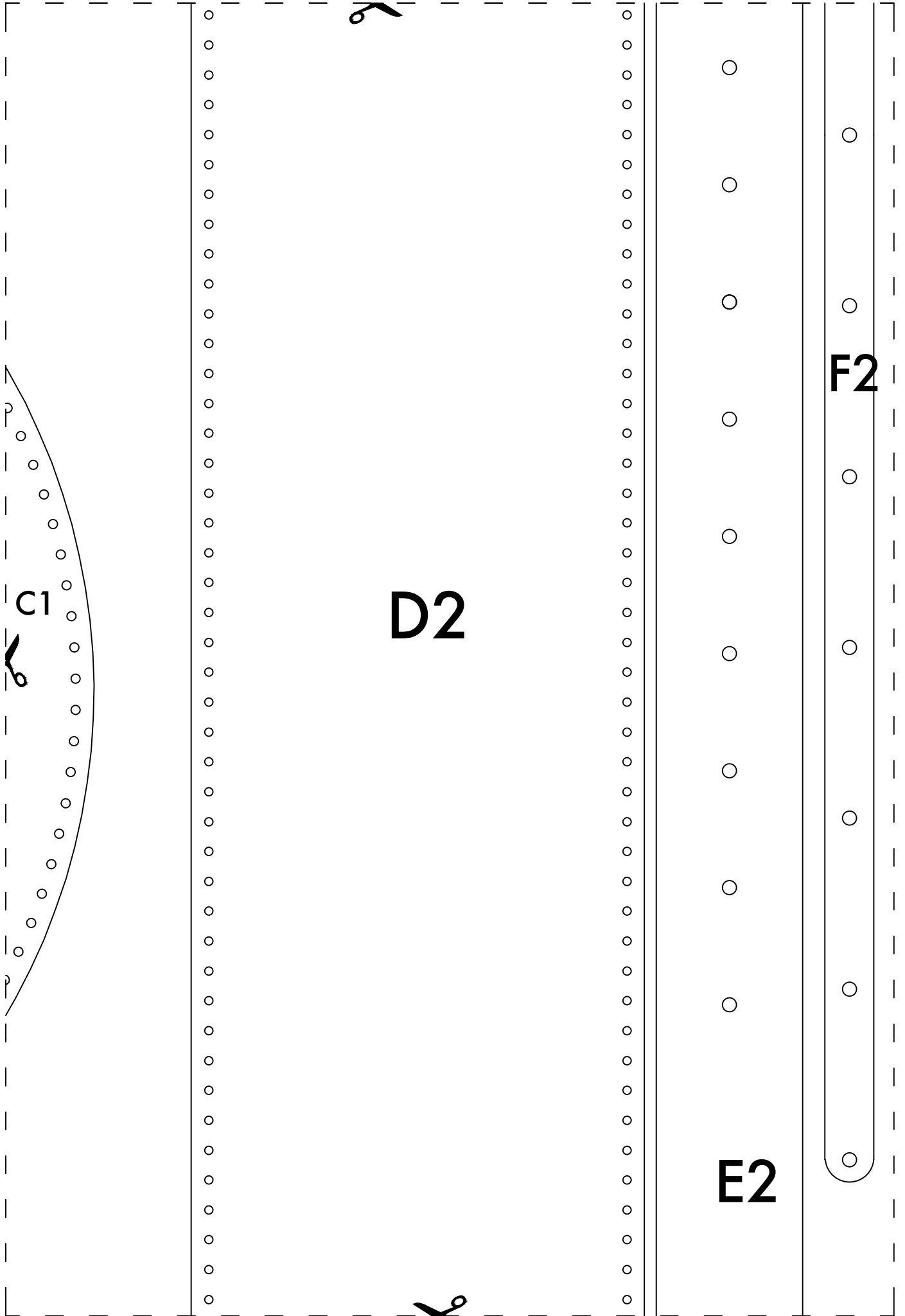


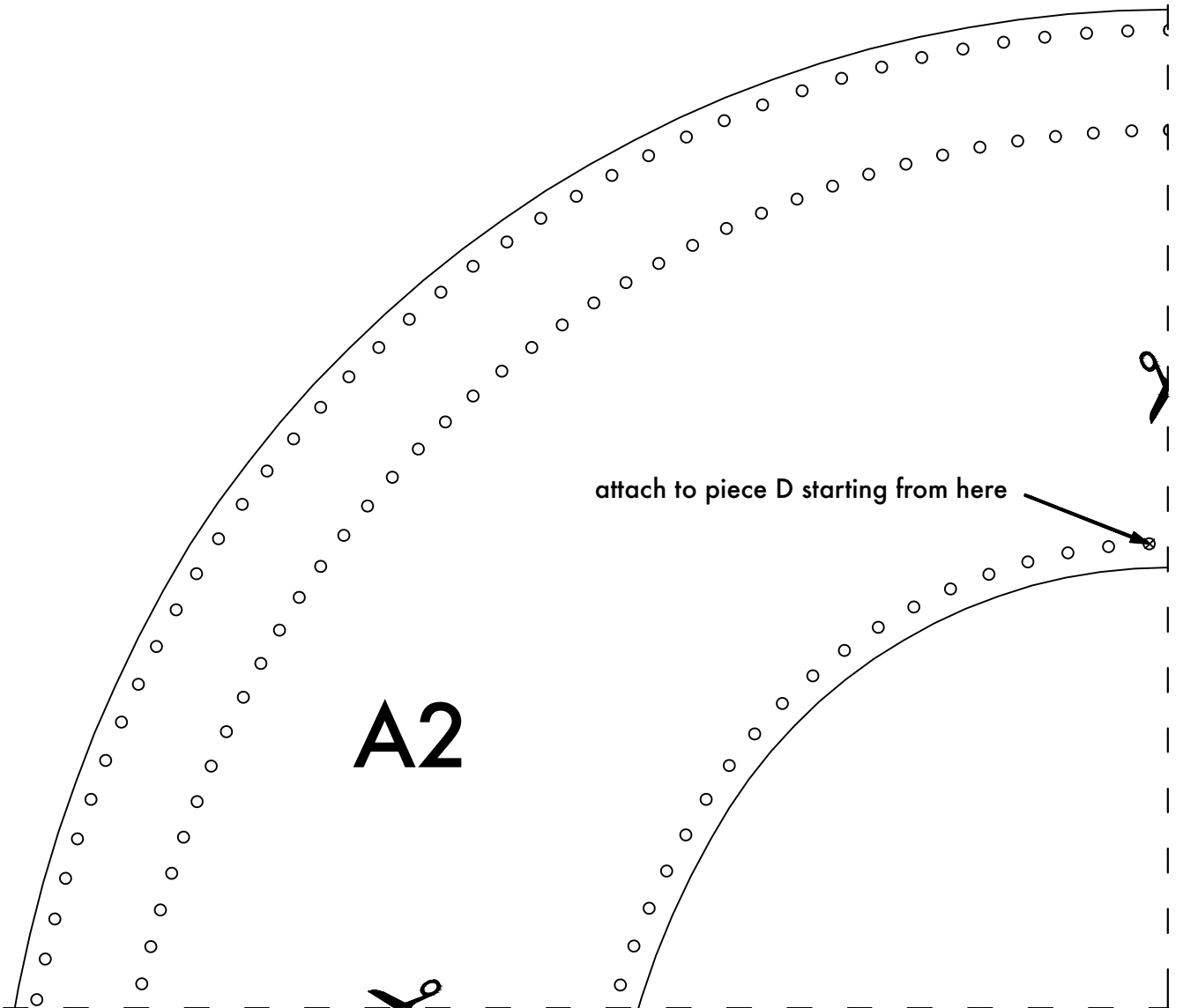
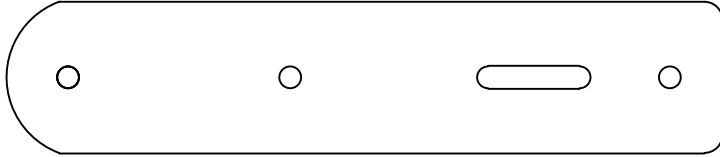
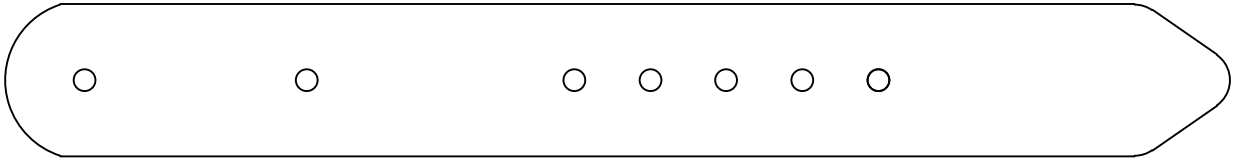
C2

61 cm

24 in









D3

E3

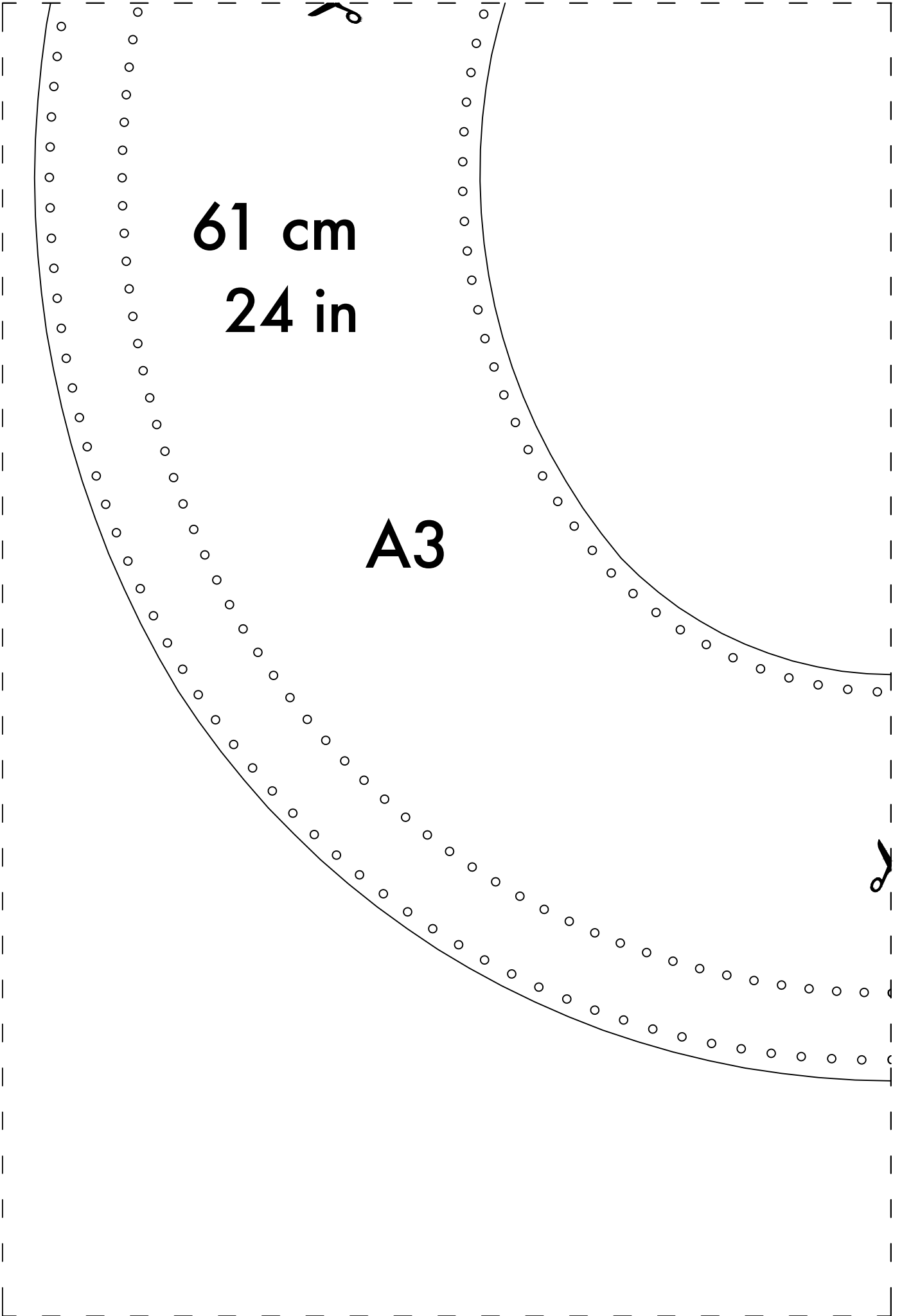


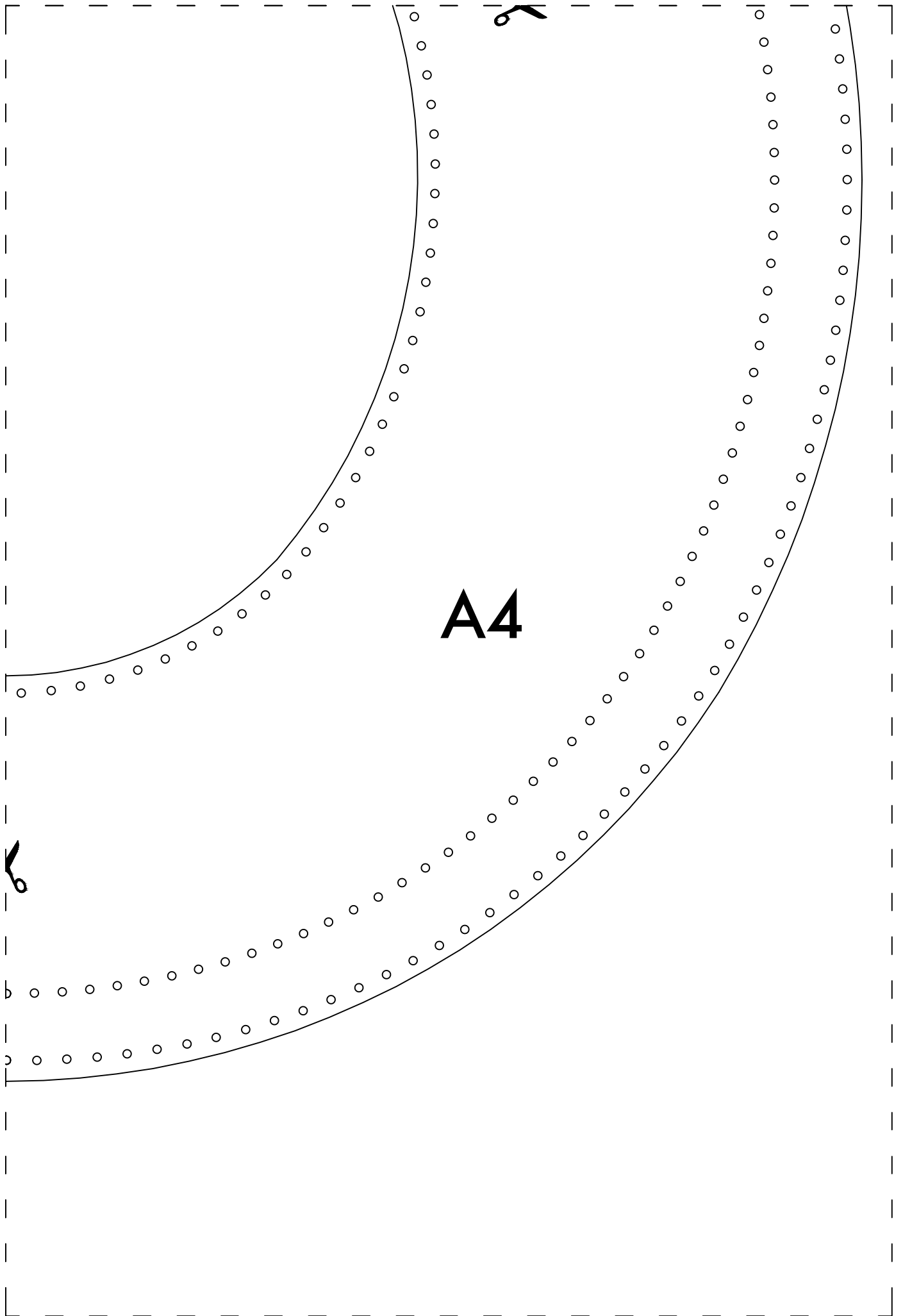
A1



61 cm
24 in

A3





A4

attach to piece D starting from here

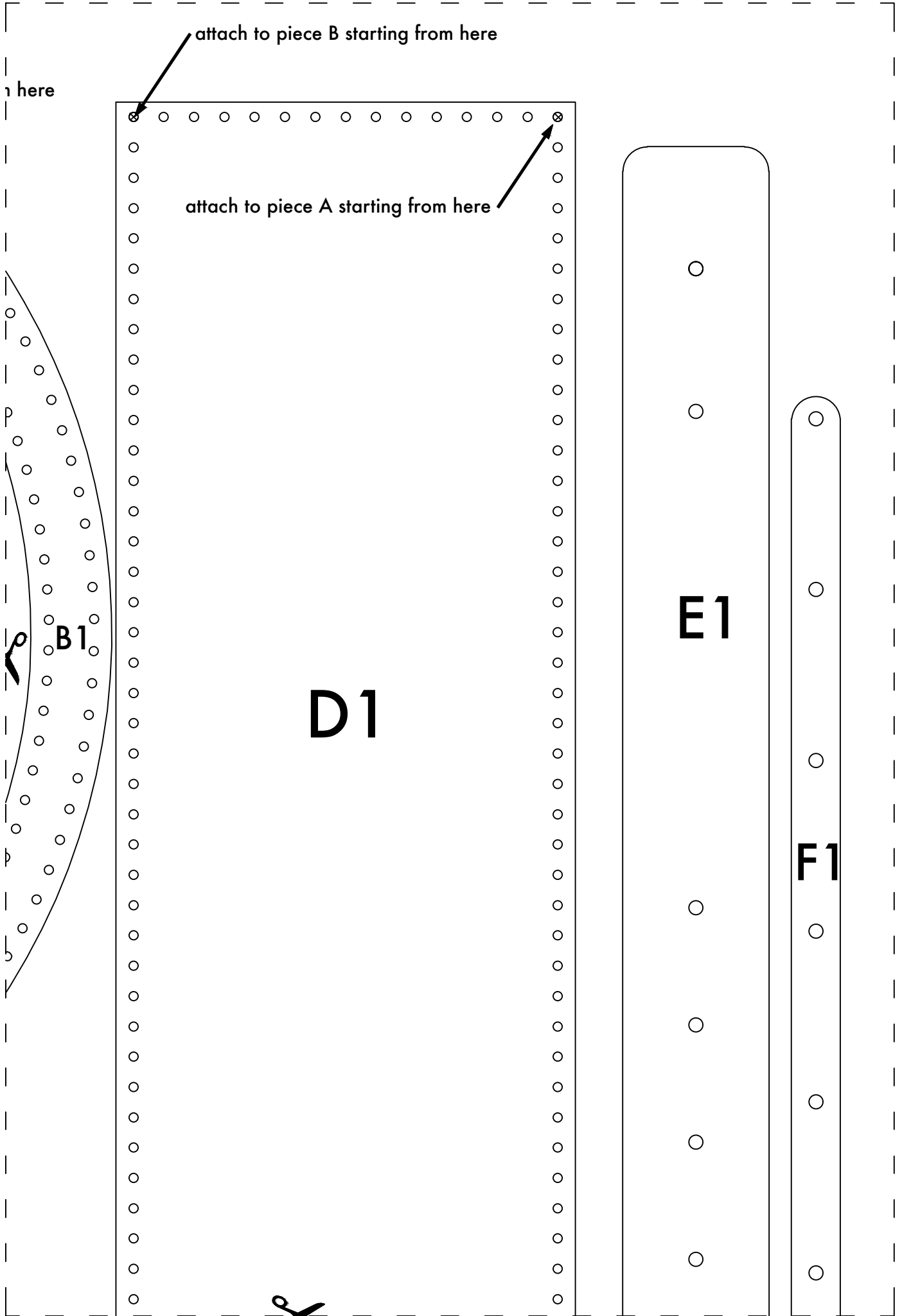
attach to piece C starting from

B2

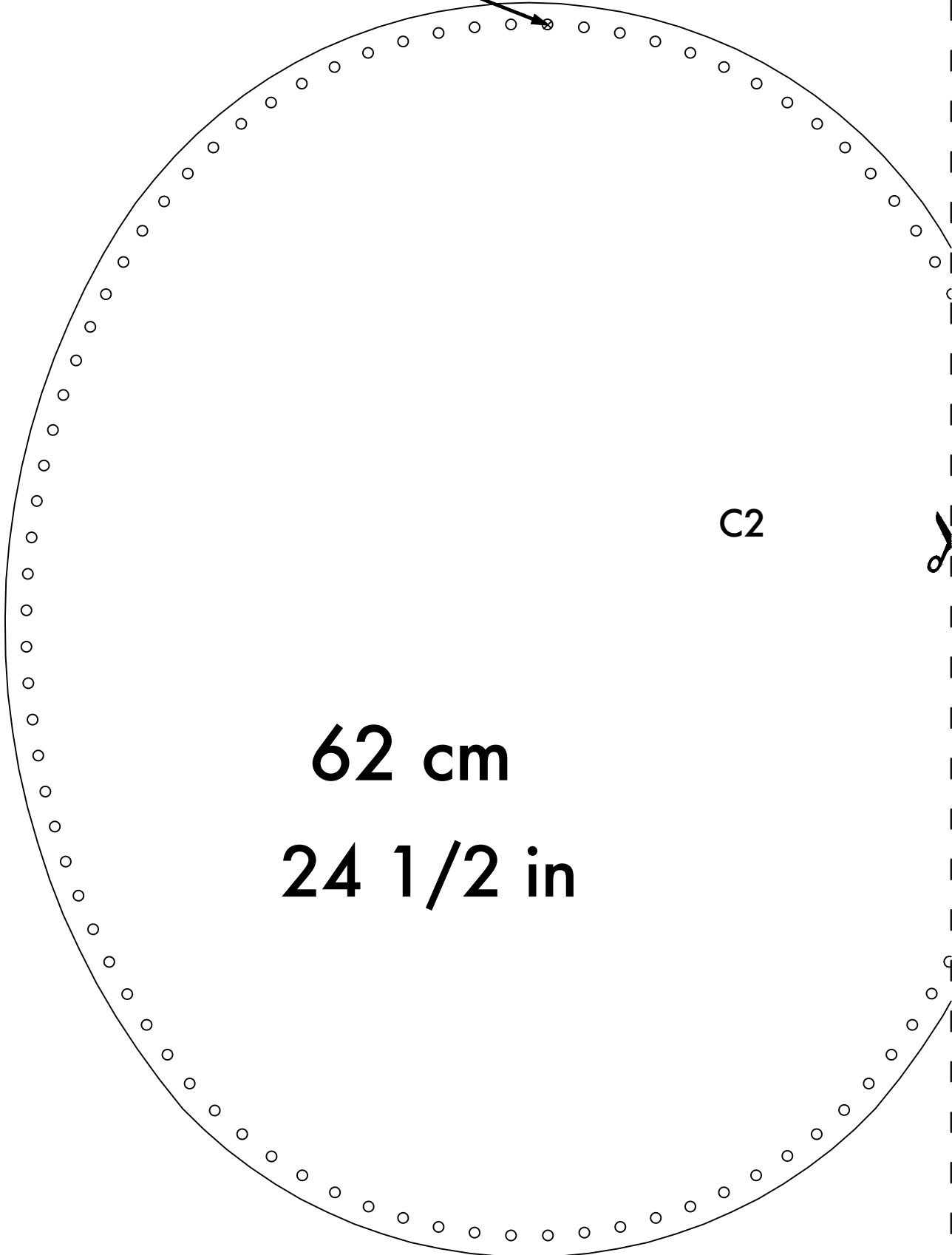
62 cm

24 1/2 in





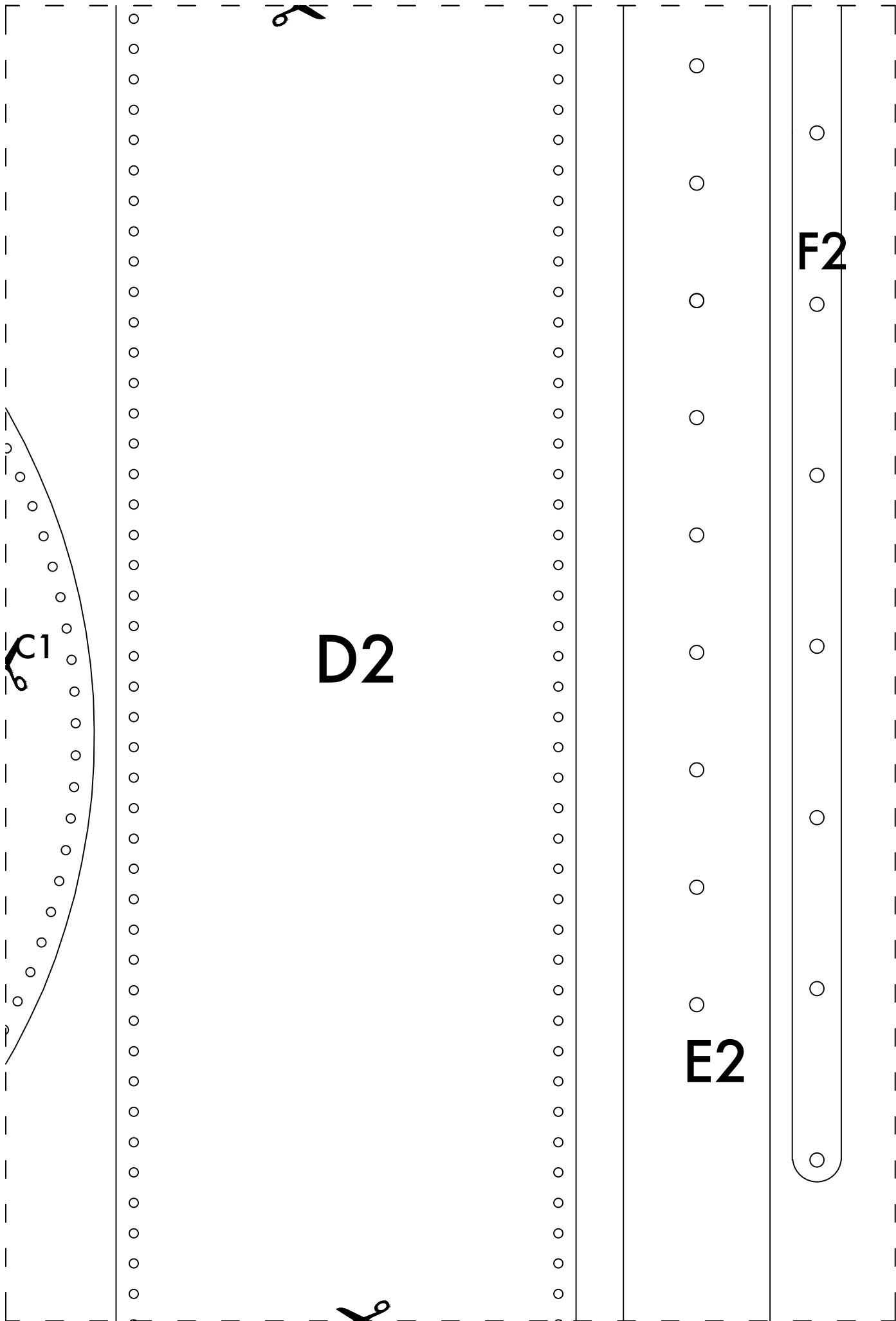
attach to piece B starting from here

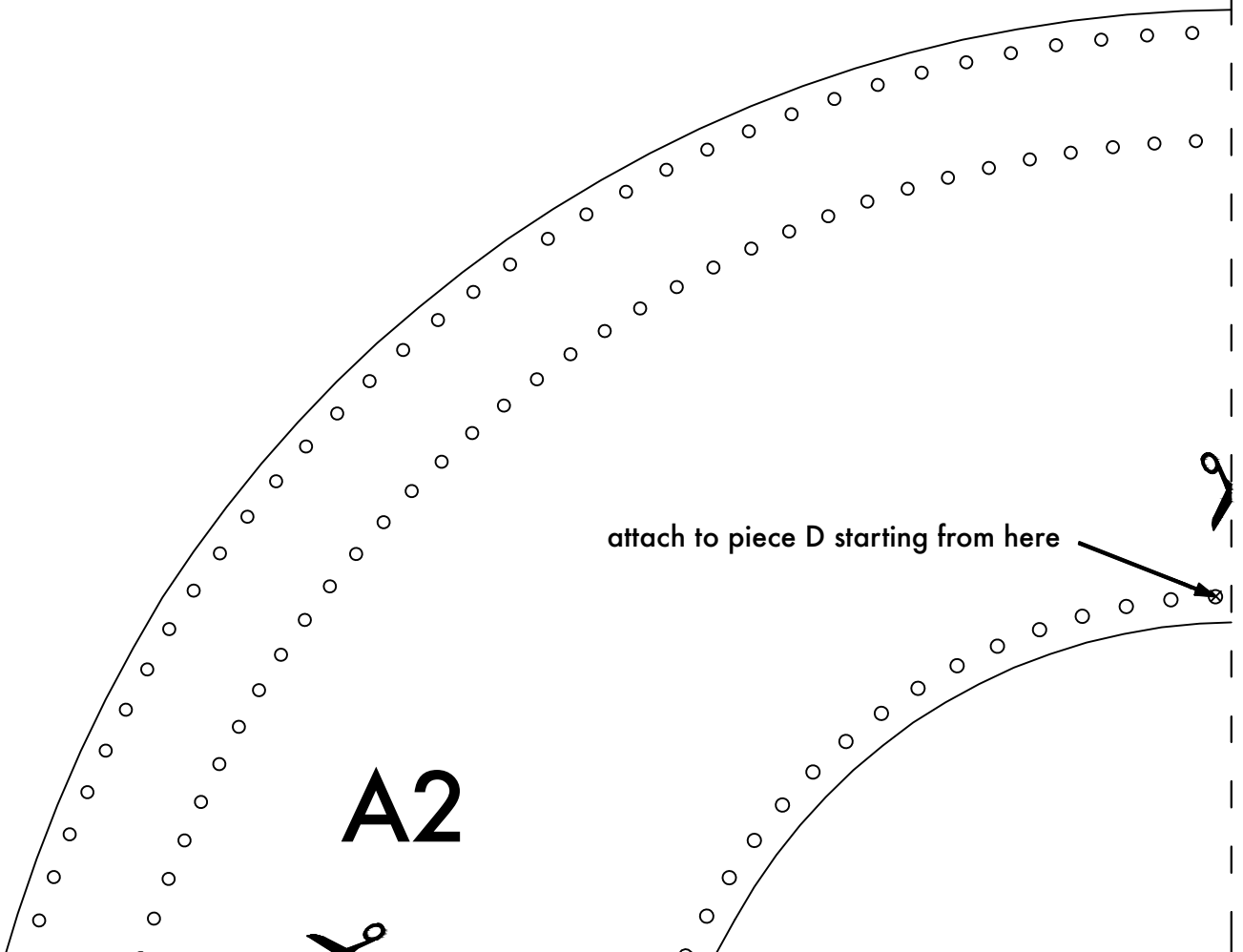
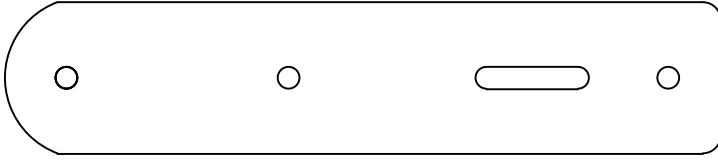
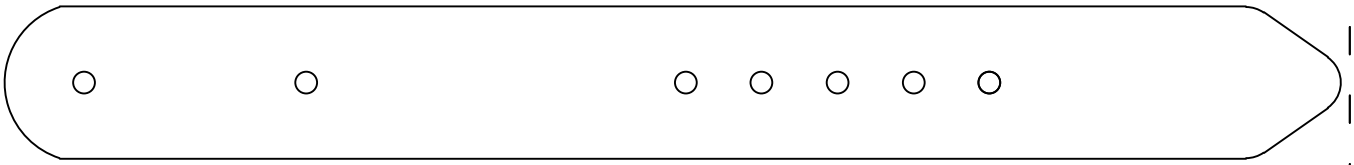


C2

62 cm
24 1/2 in

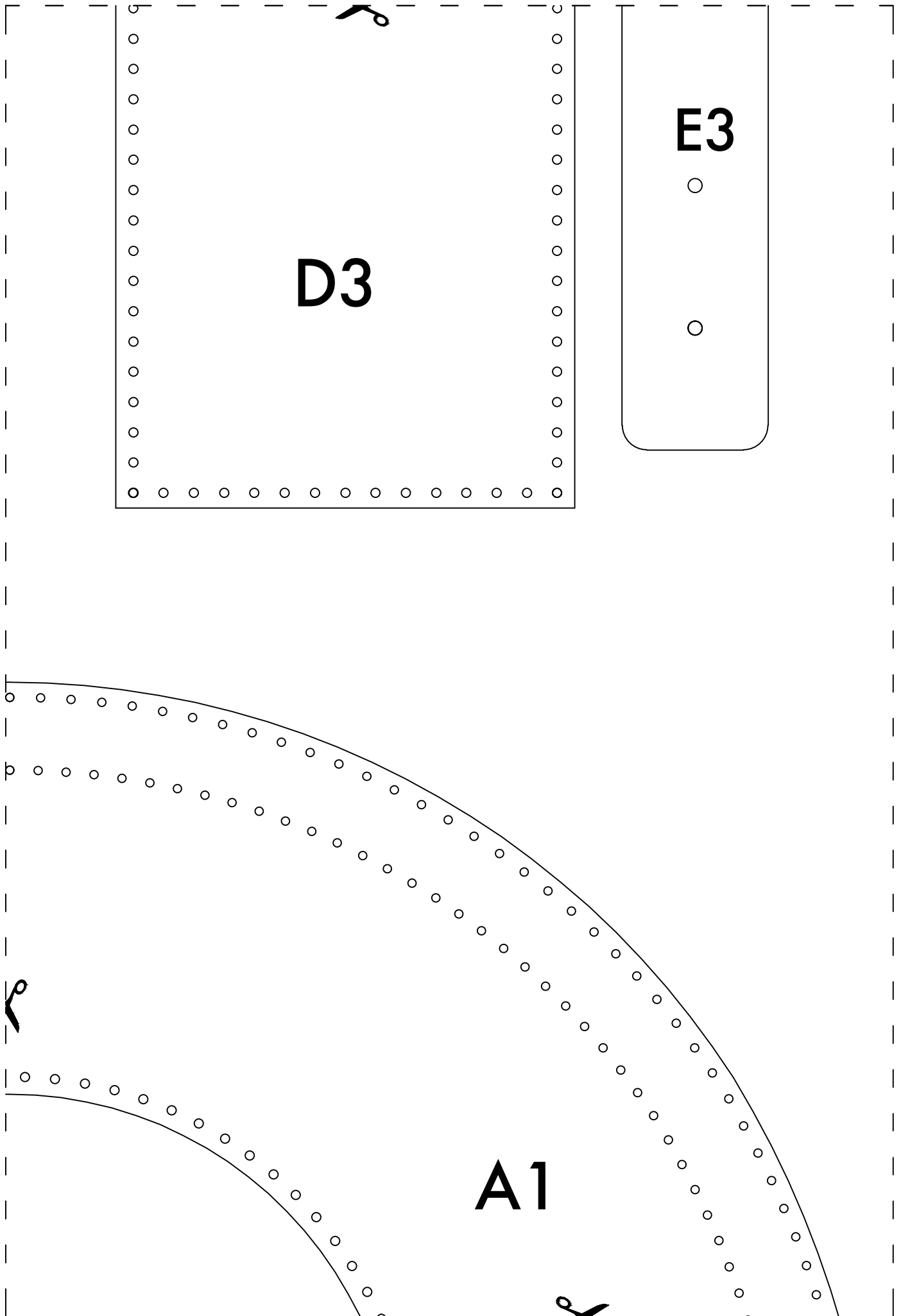


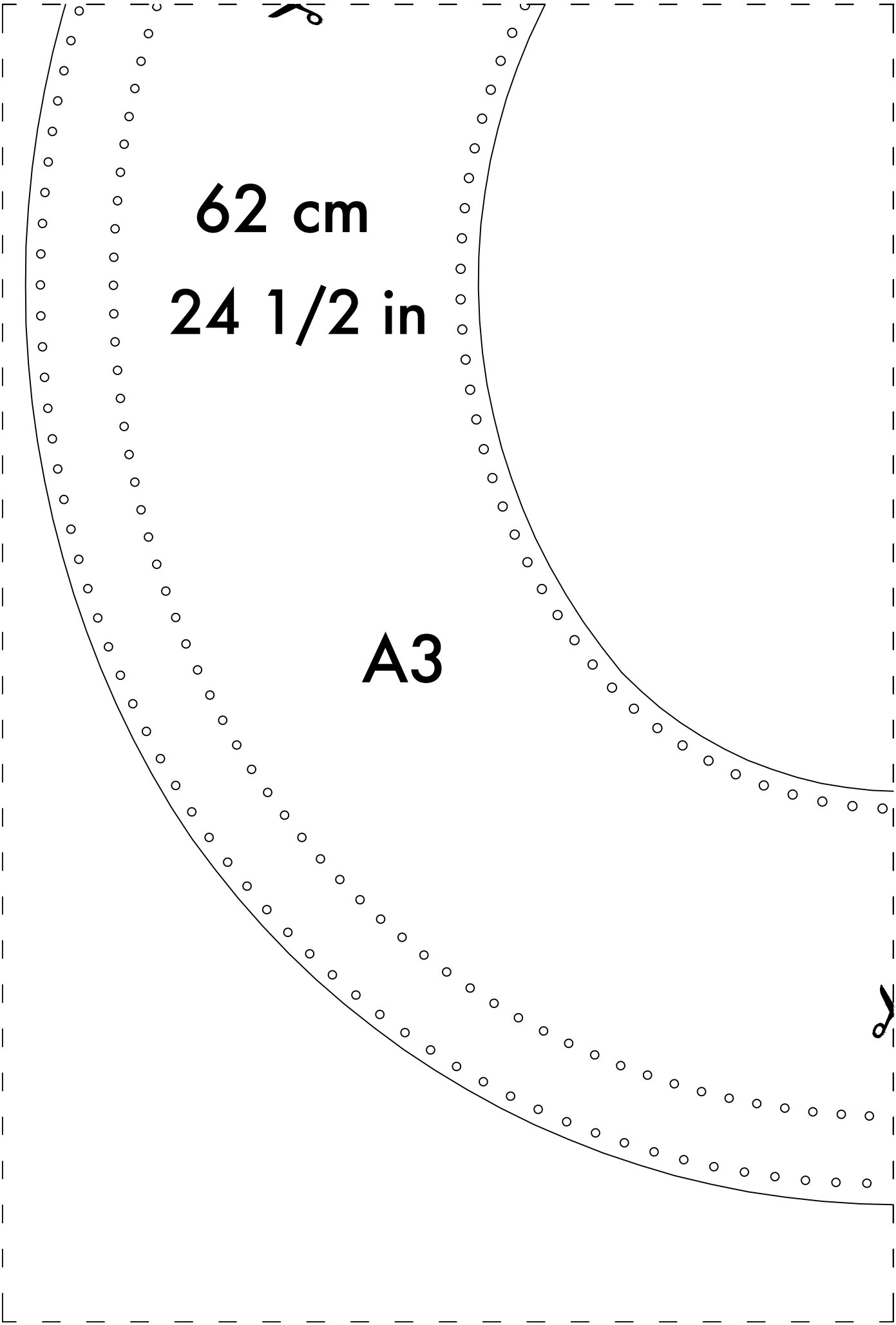




attach to piece D starting from here

A2

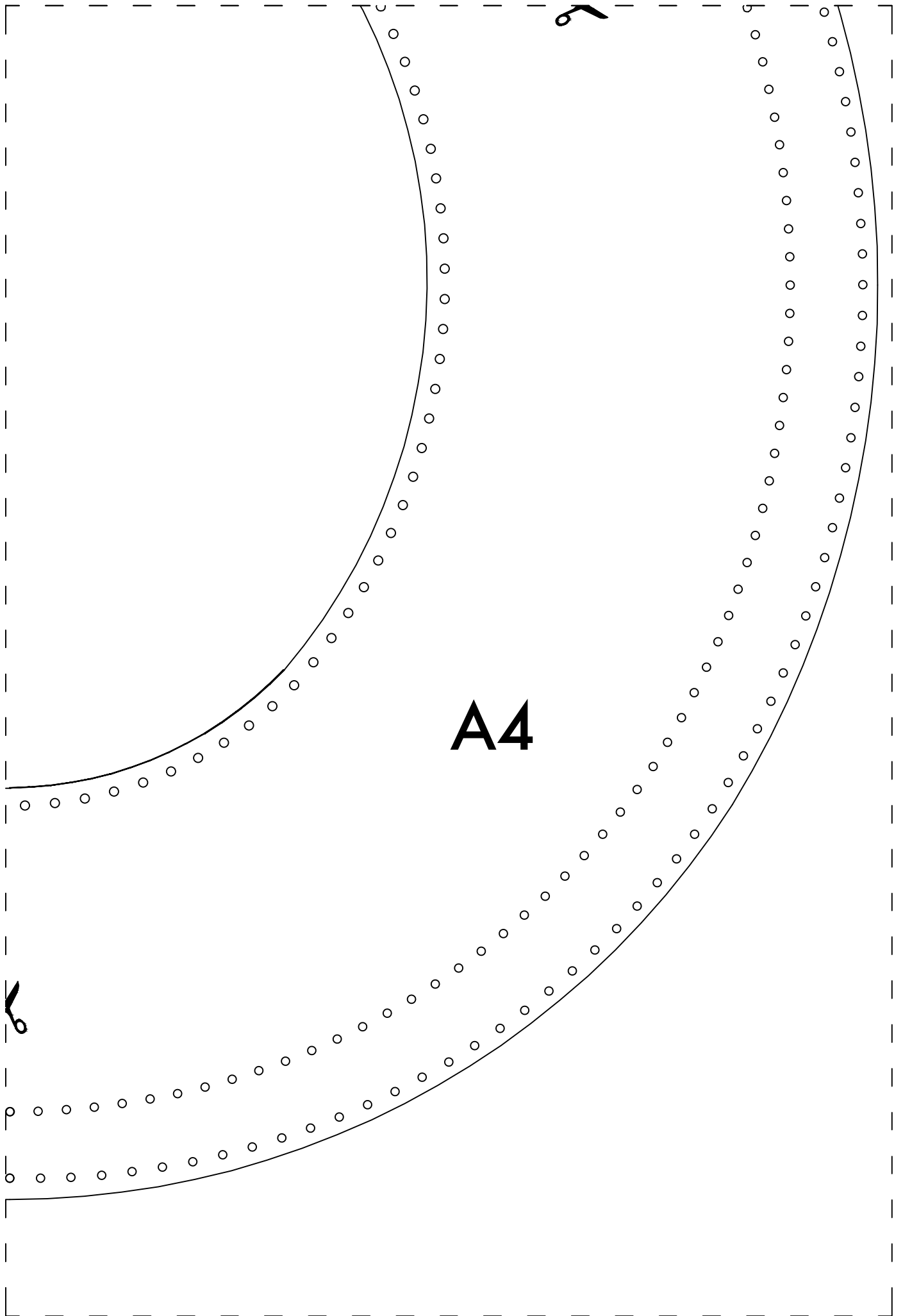




62 cm
24 1/2 in

The image shows a template for an A3 envelope. It features a dashed outer border and a solid inner border with a curved top and bottom. A series of small circles along the inner border indicate where to perforate the envelope. Two pairs of scissors are shown at the top and bottom center, indicating where to cut out the envelope. The dimensions '62 cm' and '24 1/2 in' are printed in the upper left area, and 'A3' is printed in the center.

A3



A4