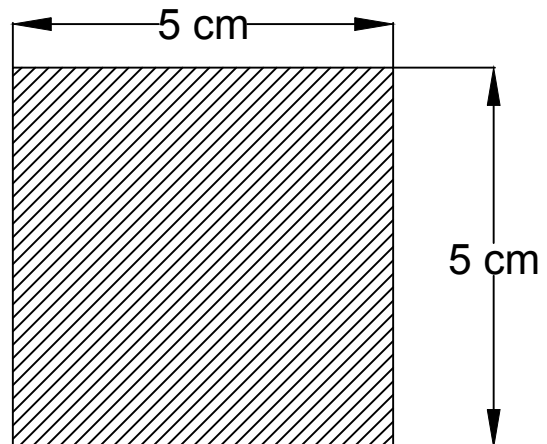
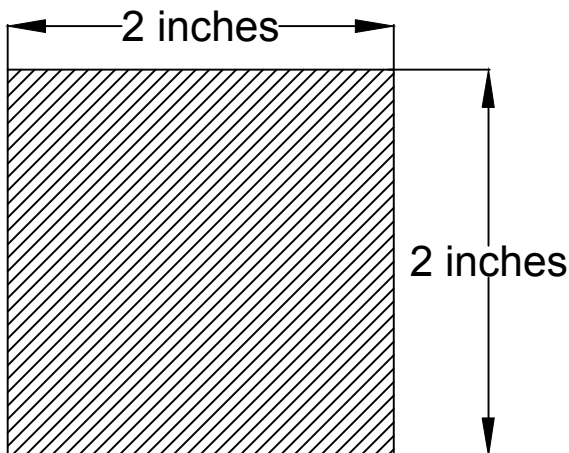


18,2 cm

Test Page

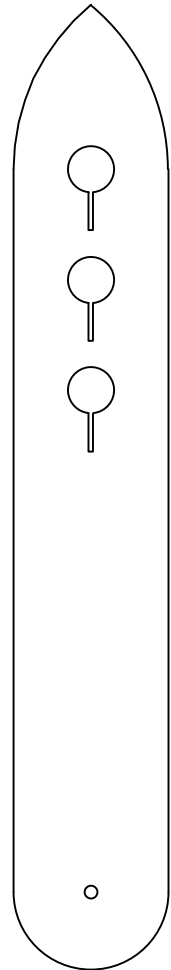
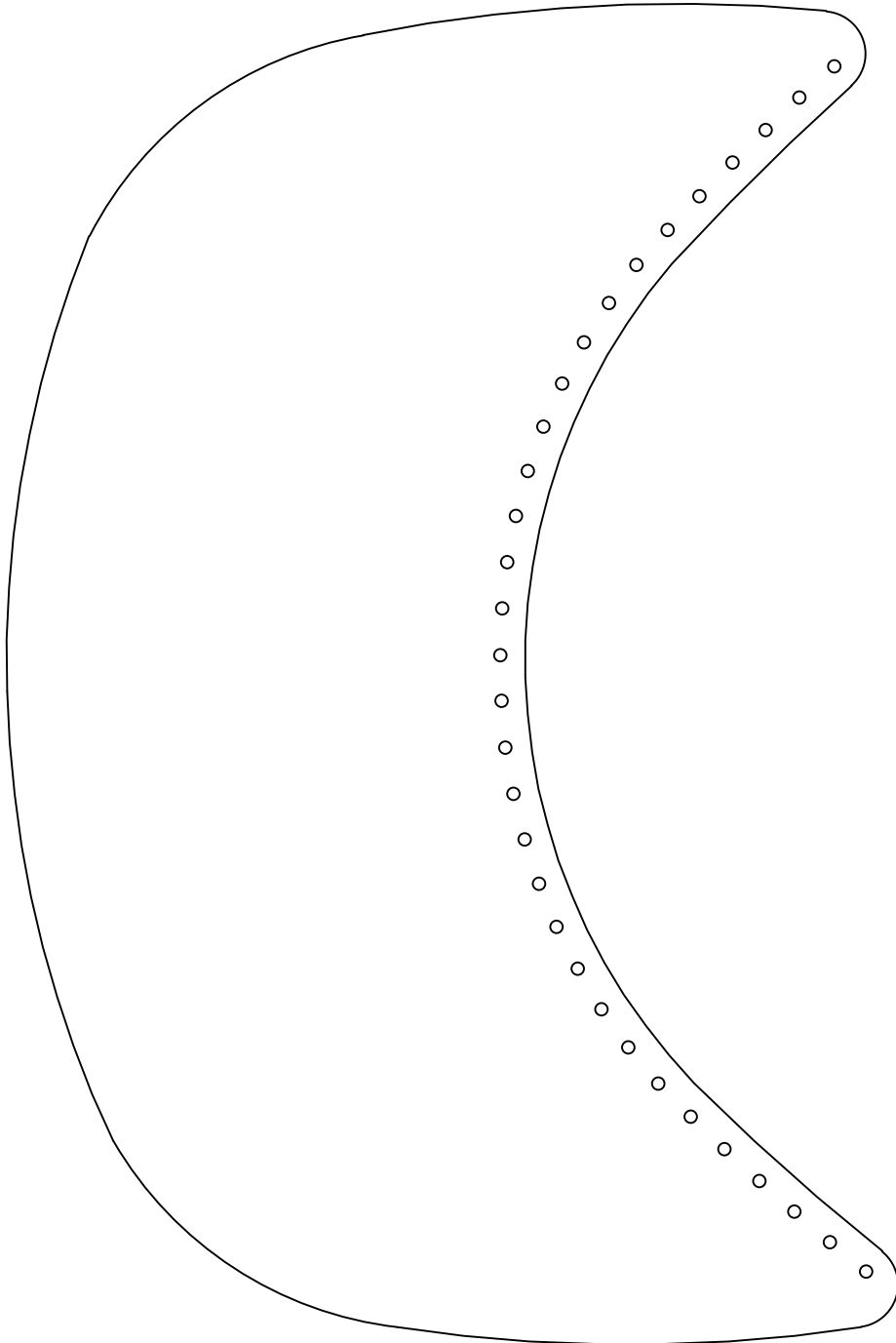
Select A4 in the paper size printing menu
Choose "actual size" in the printing preferences
Make sure these dimensions are correct
before starting your pattern

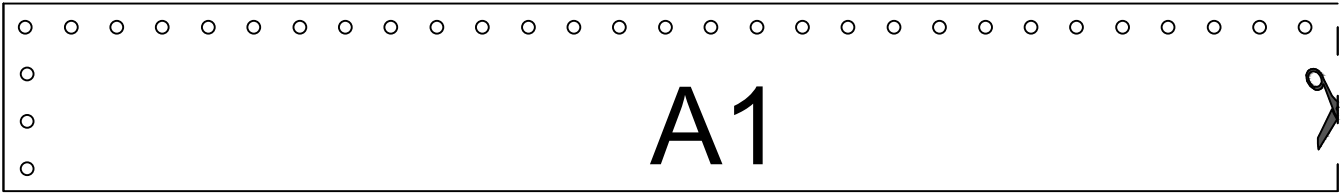


7,17 inches

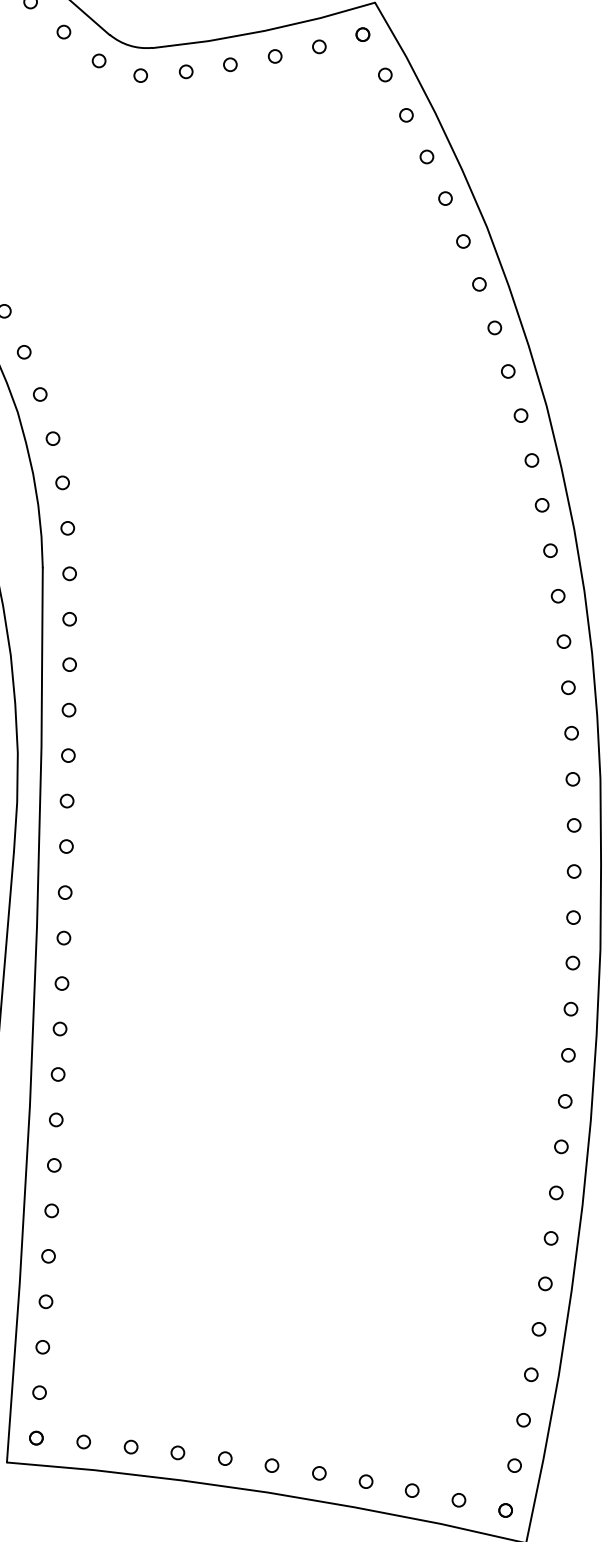
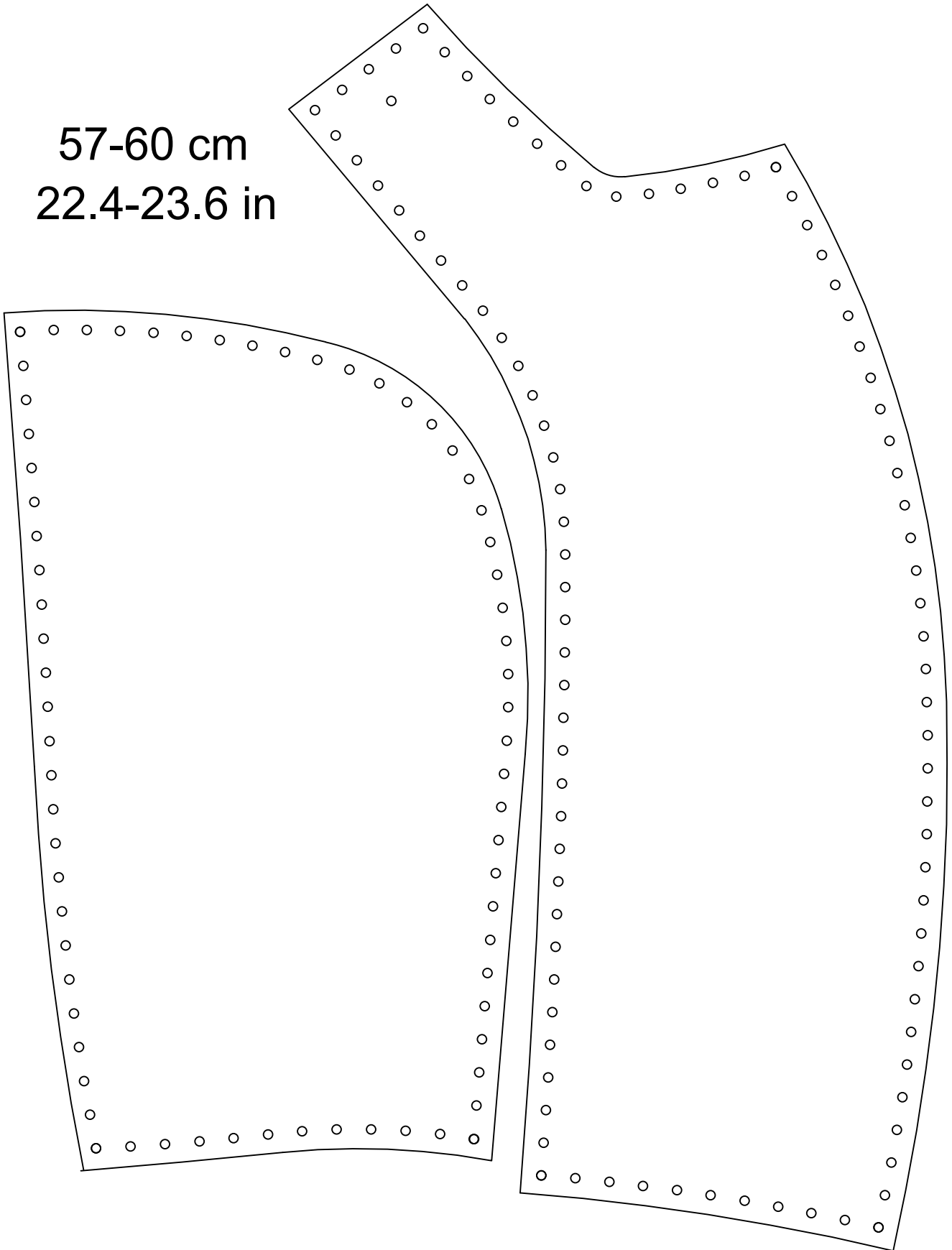
M-L

57-60 cm
22.4-23.6 in



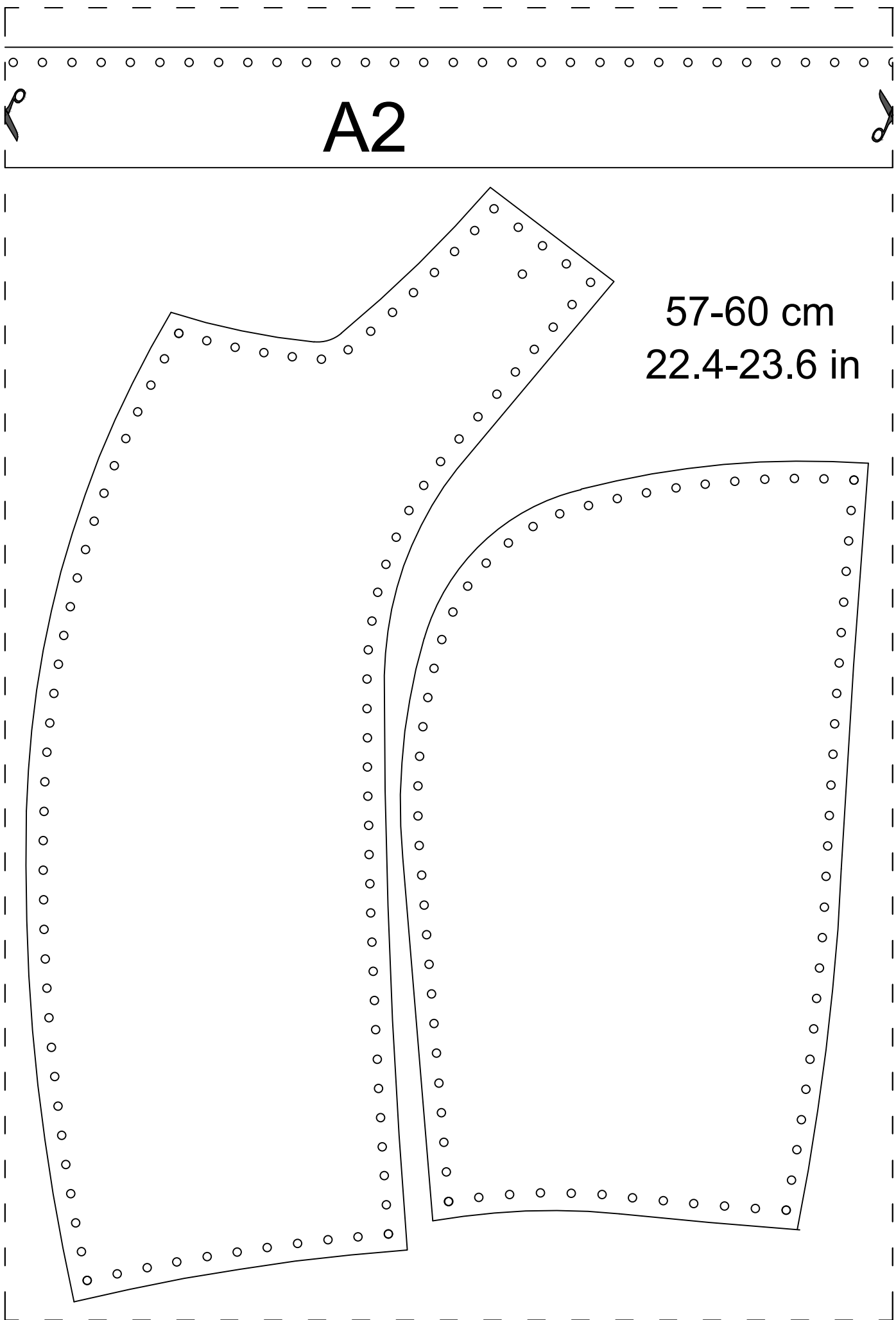


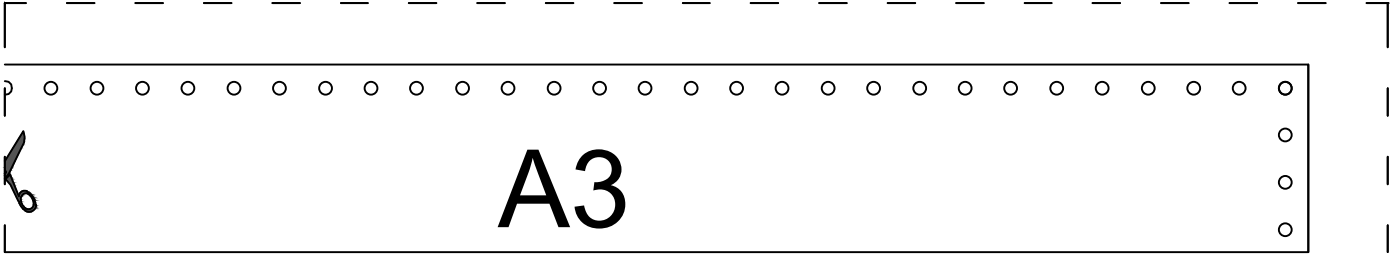
57-60 cm
22.4-23.6 in



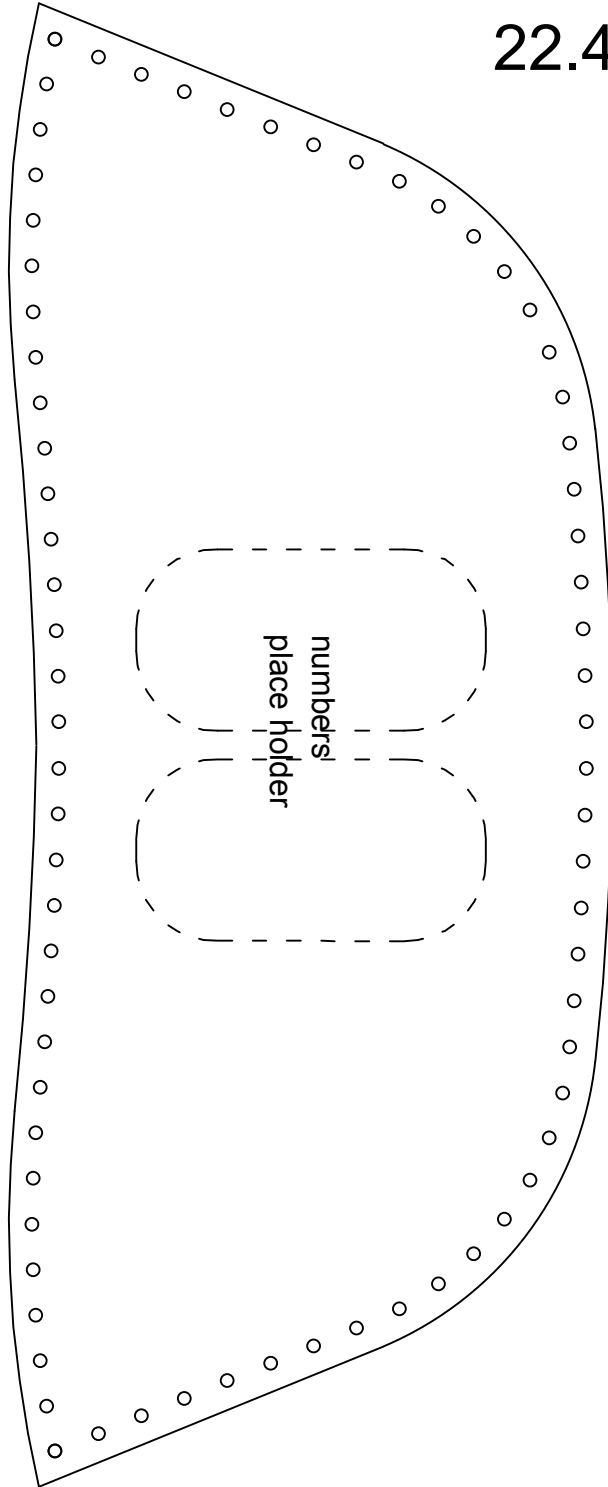
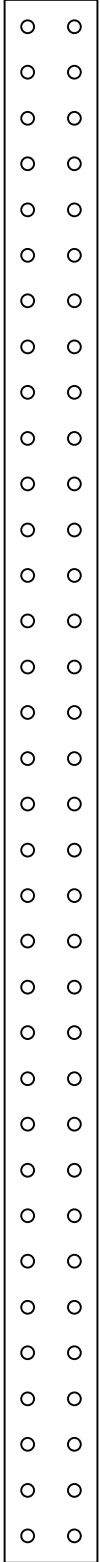
A2

57-60 cm
22.4-23.6 in





57-60 cm
22.4-23.6 in



1 2 3 4 5

6 7 8 9 0