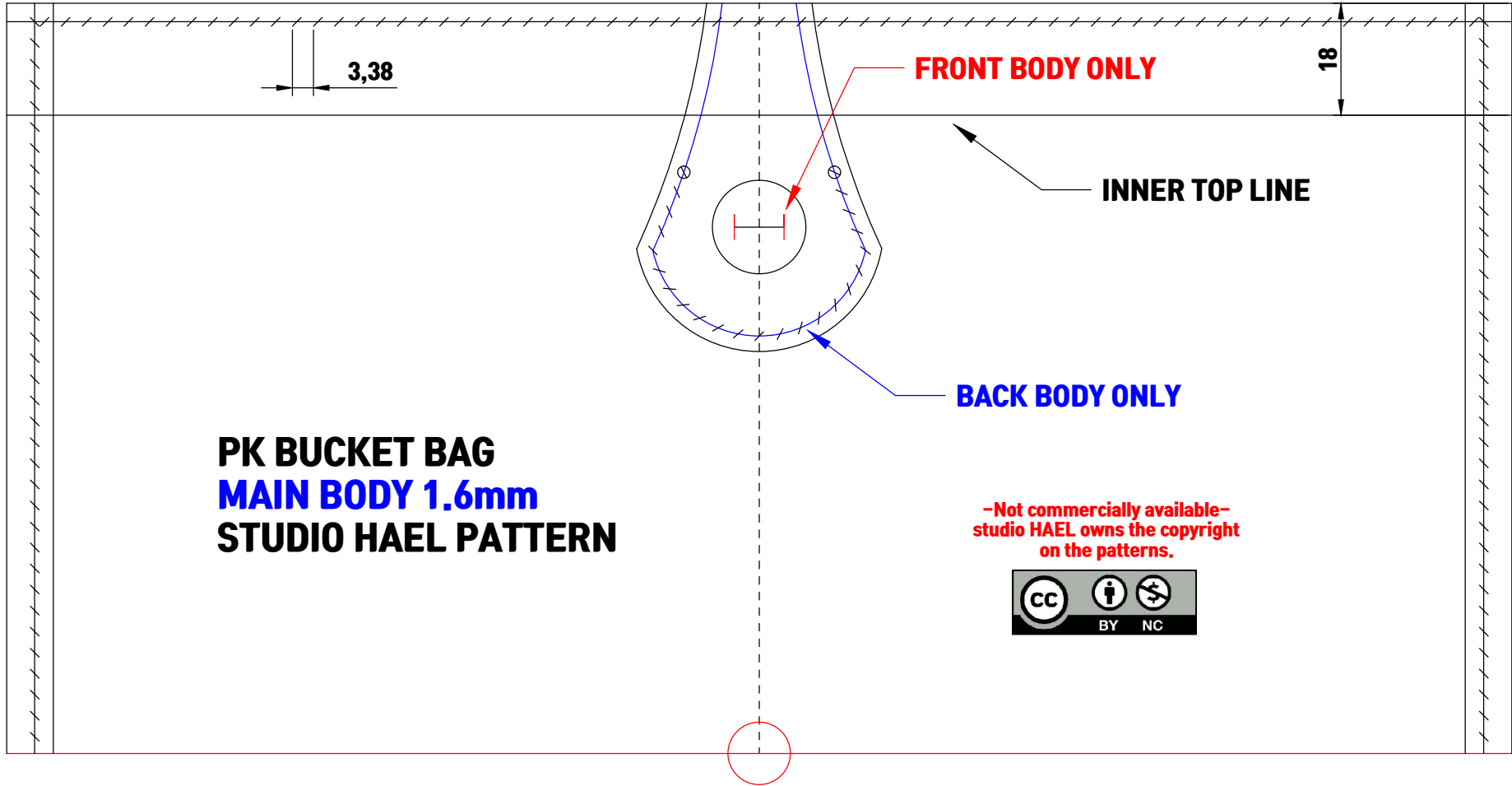


PK BUCKET BAG
MAIN BODY INNER TOP/0.8mm
STUDIO HAEL PATTERN



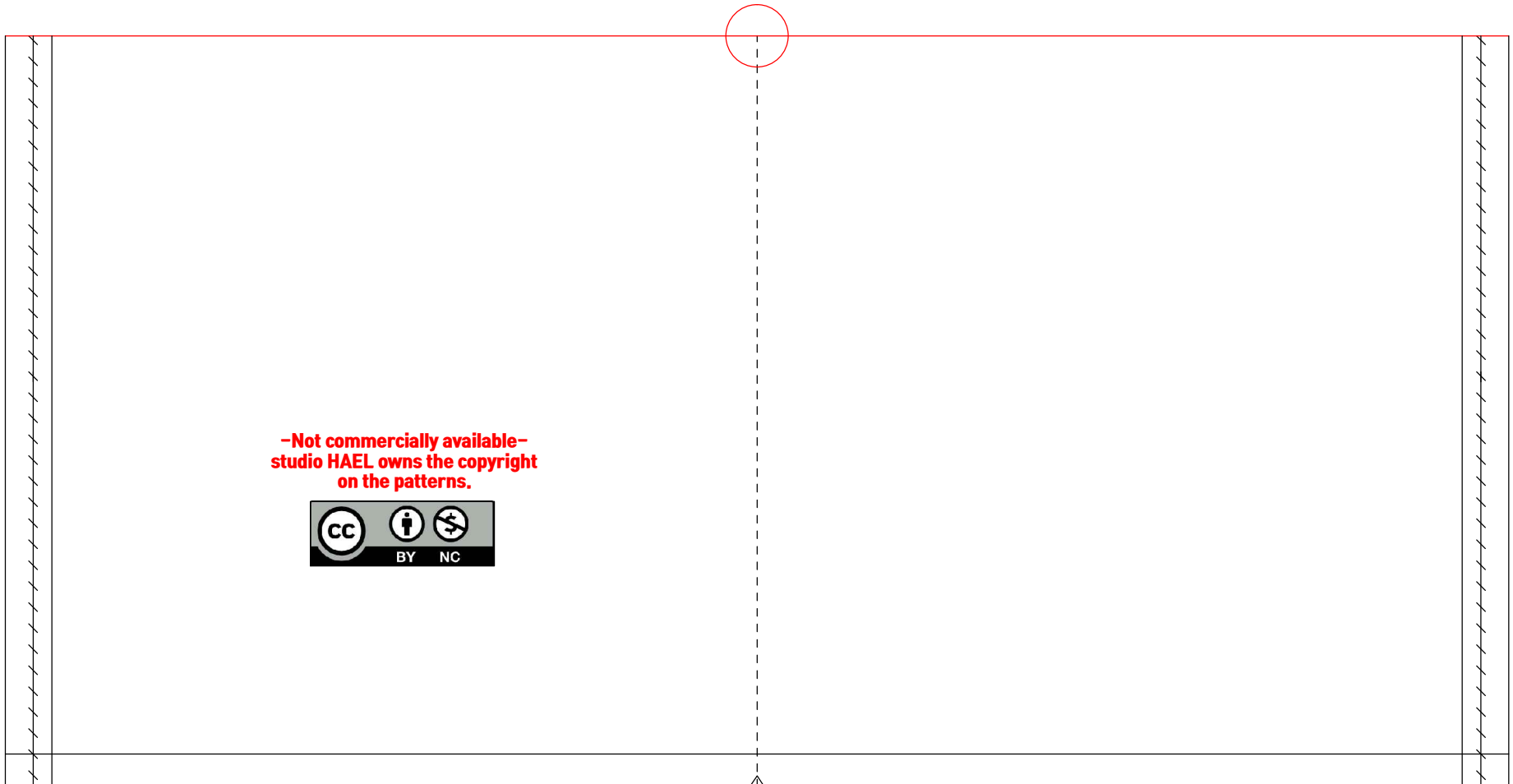
PK BUCKET BAG
MAIN BODY 1.6mm
STUDIO HAEL PATTERN

-Not commercially available-
studio HAEL owns the copyright
on the patterns.

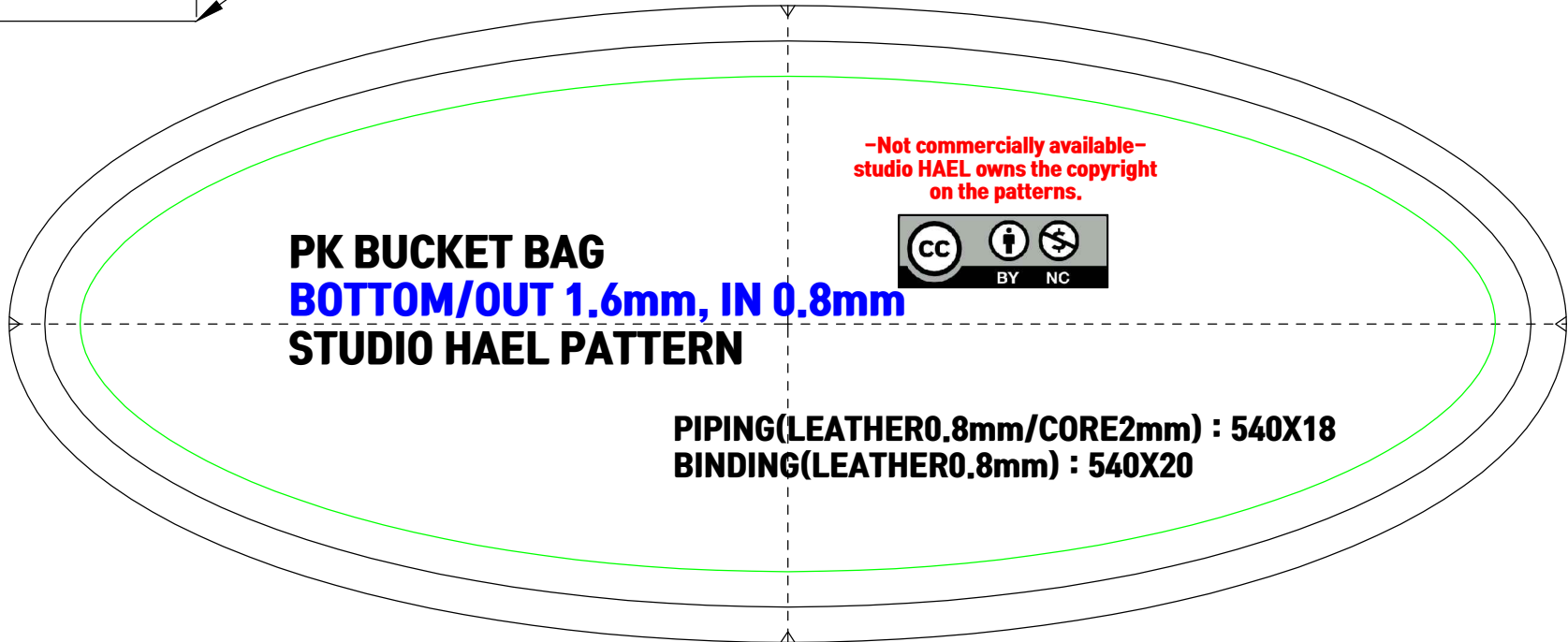


50
50mm(actual size)

50
50mm(actual size)



50
50mm(actual size)

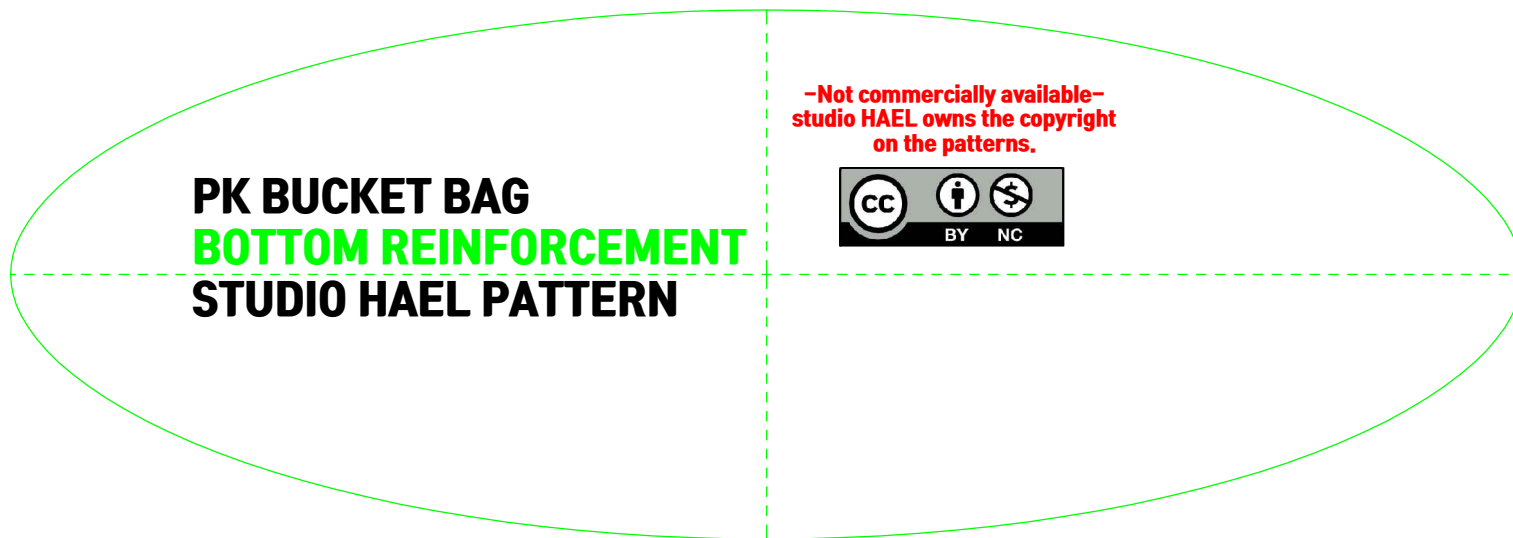


PK BUCKET BAG
BOTTOM/OUT 1.6mm, IN 0.8mm
STUDIO HAEL PATTERN

-Not commercially available-
studio HAEL owns the copyright
on the patterns.



PIPING(LEATHER0.8mm/CORE2mm) : 540X18
BINDING(LEATHER0.8mm) : 540X20

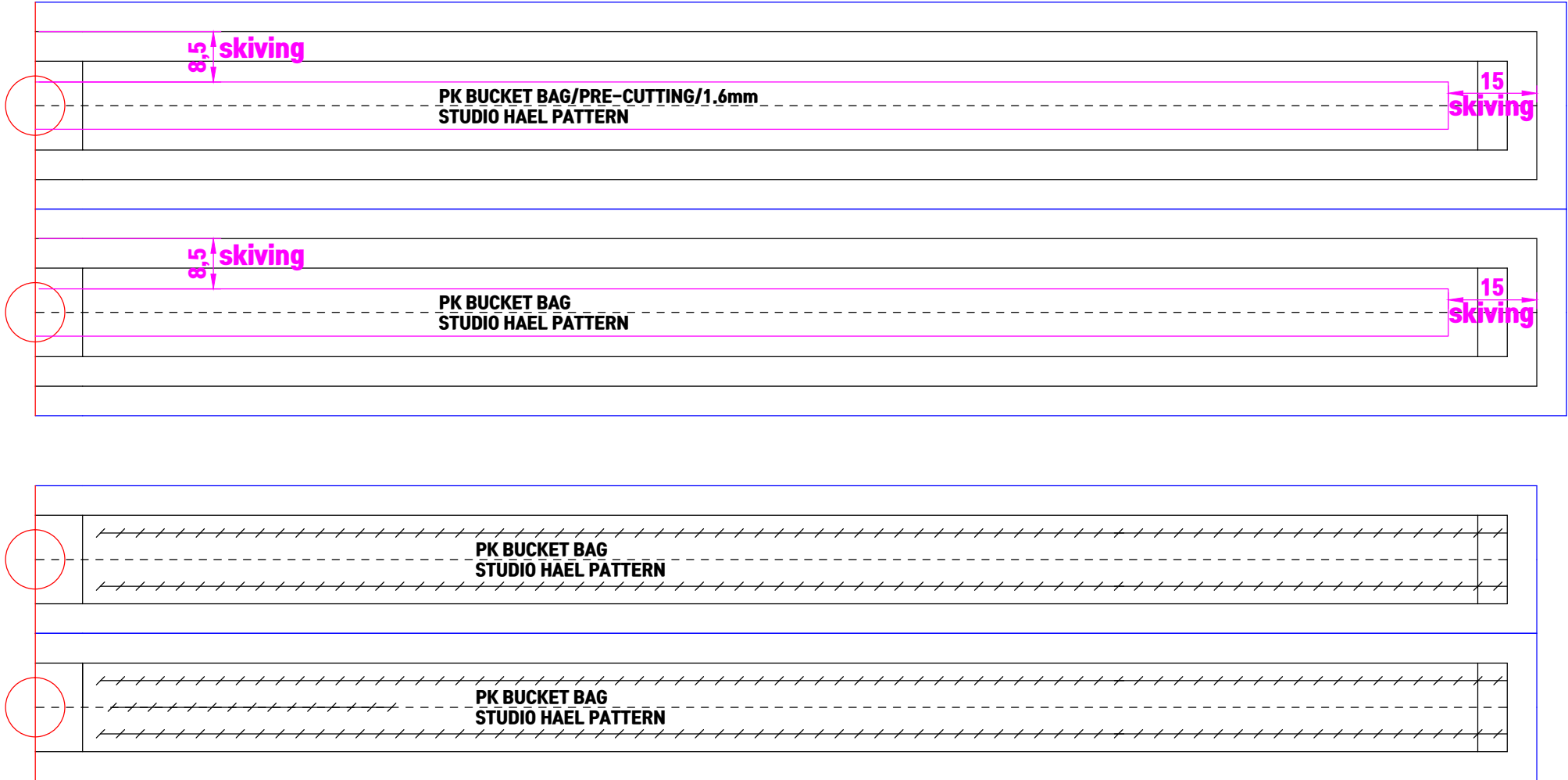
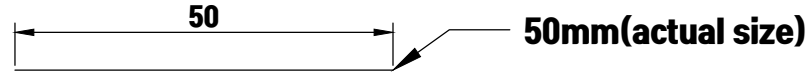


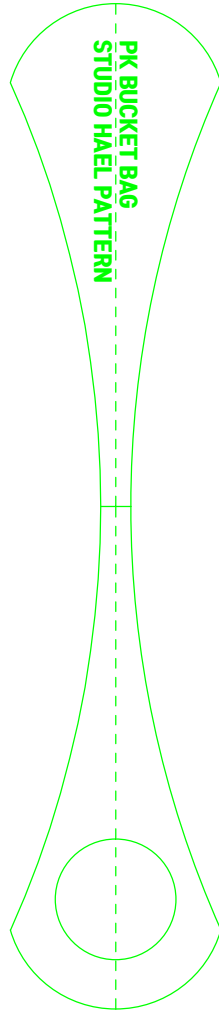
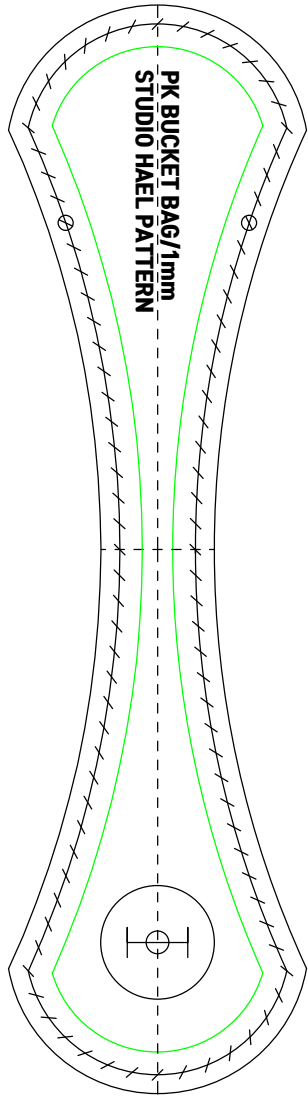
PK BUCKET BAG
BOTTOM REINFORCEMENT
STUDIO HAEL PATTERN

-Not commercially available-
studio HAEL owns the copyright
on the patterns.



-Not commercially available-
studio HAEL owns the copyright
on the patterns.





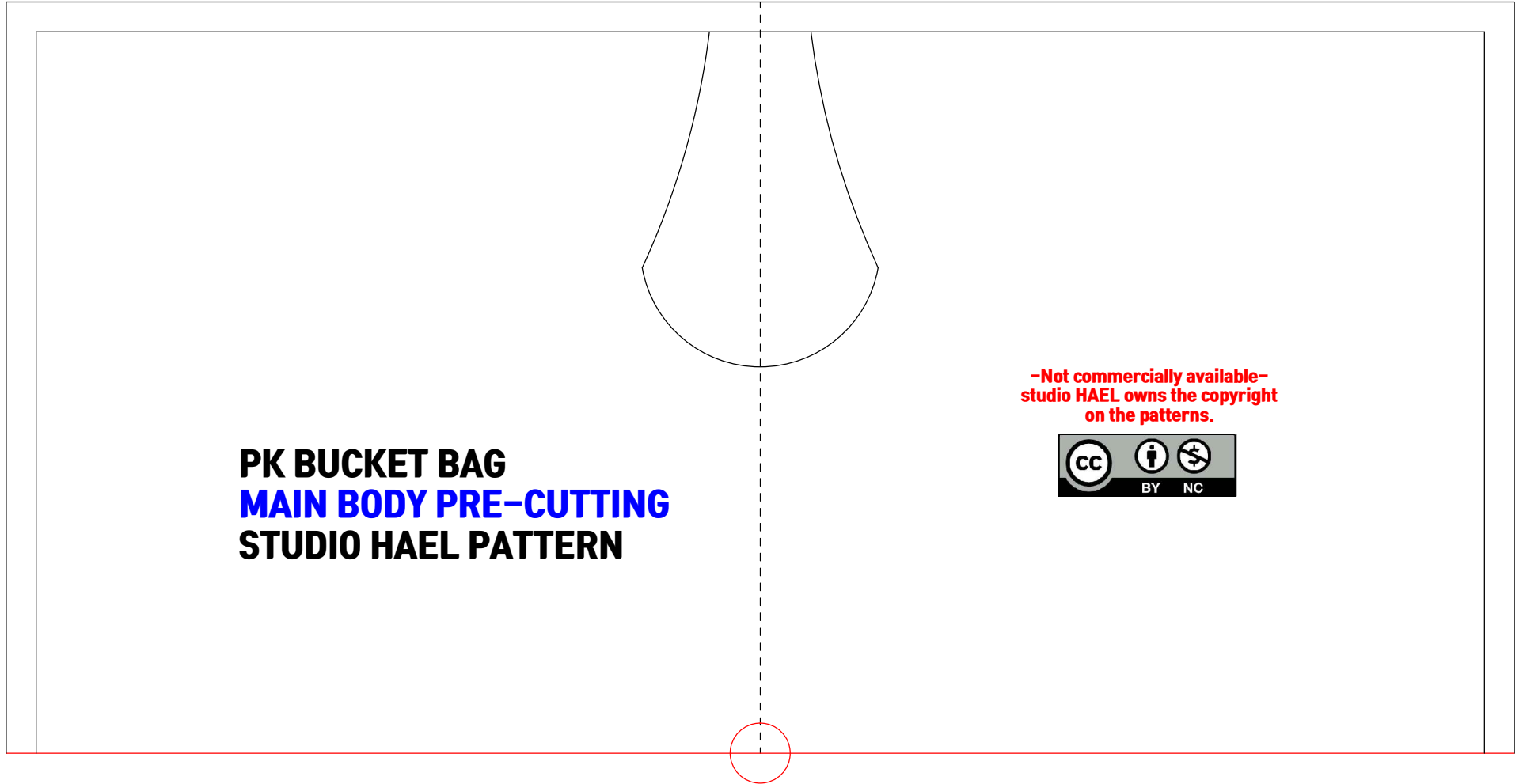
50 50mm(actual size)



-Not commercially available-
studio HAEL owns the copyright
on the patterns.



50
50mm(actual size)

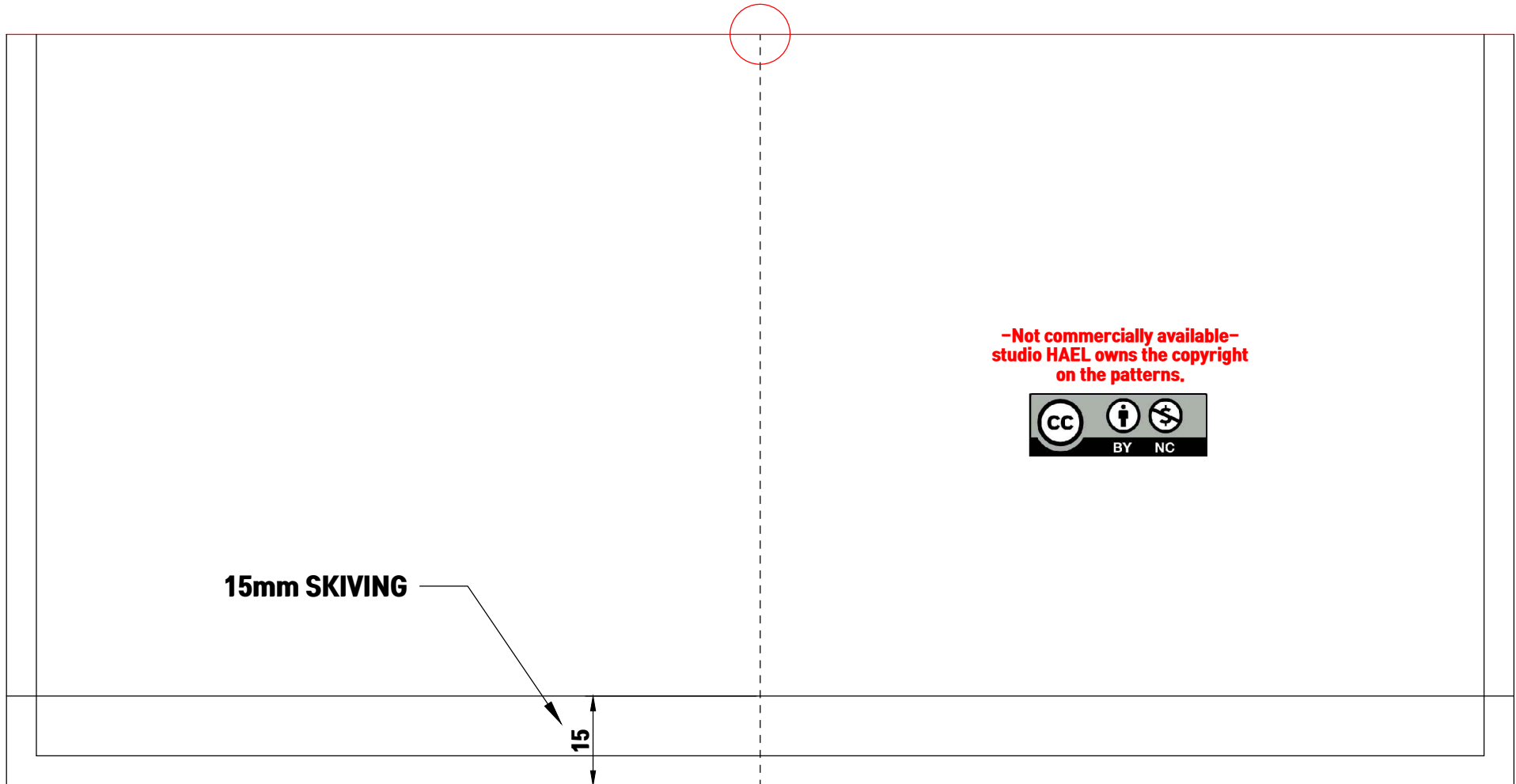


PK BUCKET BAG
MAIN BODY PRE-CUTTING
STUDIO HAEL PATTERN

**-Not commercially available-
studio HAEL owns the copyright
on the patterns.**



50
50mm(actual size)



50
50mm(actual size)

