

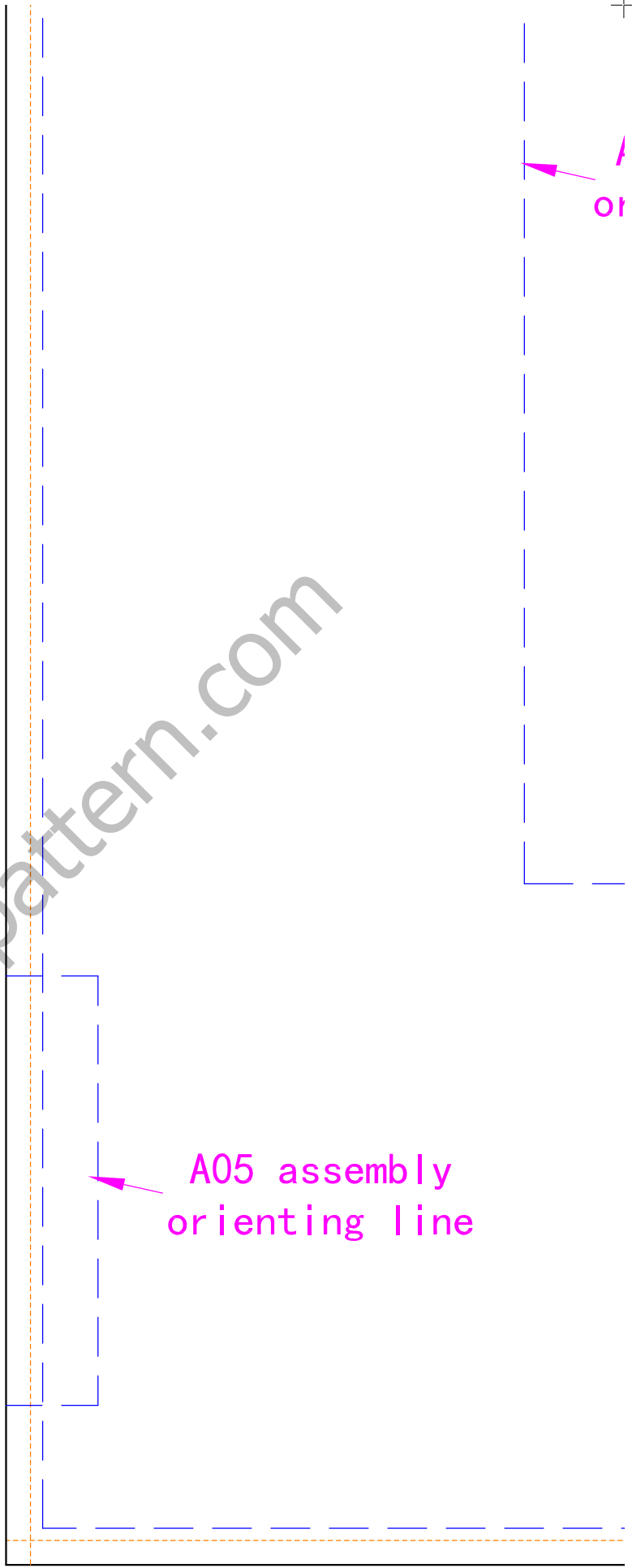
A1

[www.lzpattern.com](http://www.lzpattern.com)

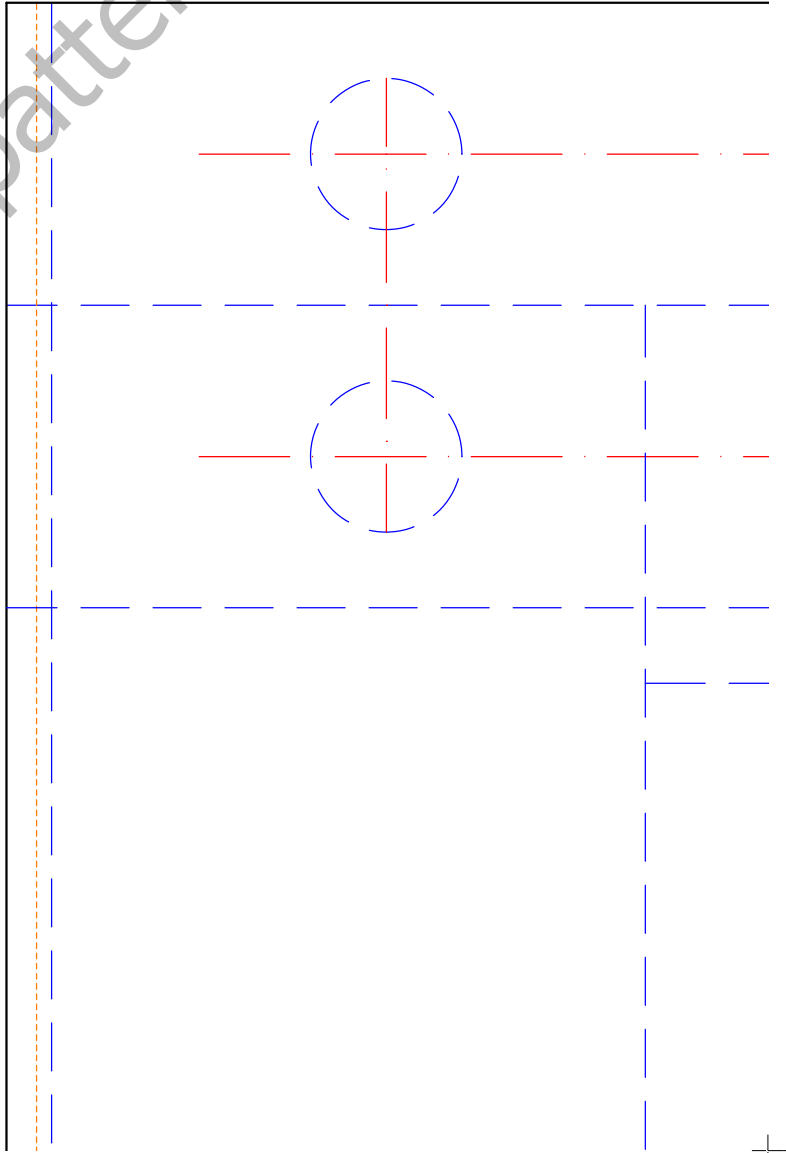
www.lzpattern.com

A05 assembly  
orienting line

or



www.lzpattern.com



BDQ-11 strengthening  
leather  
A06

[www.lzpattern.com](http://www.lzpattern.com)

A02 assembly  
orienting line

www.lzpattern.com

BDQ-11 Front and k  
A01

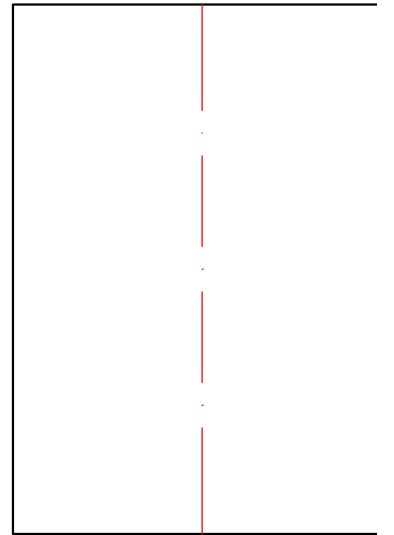
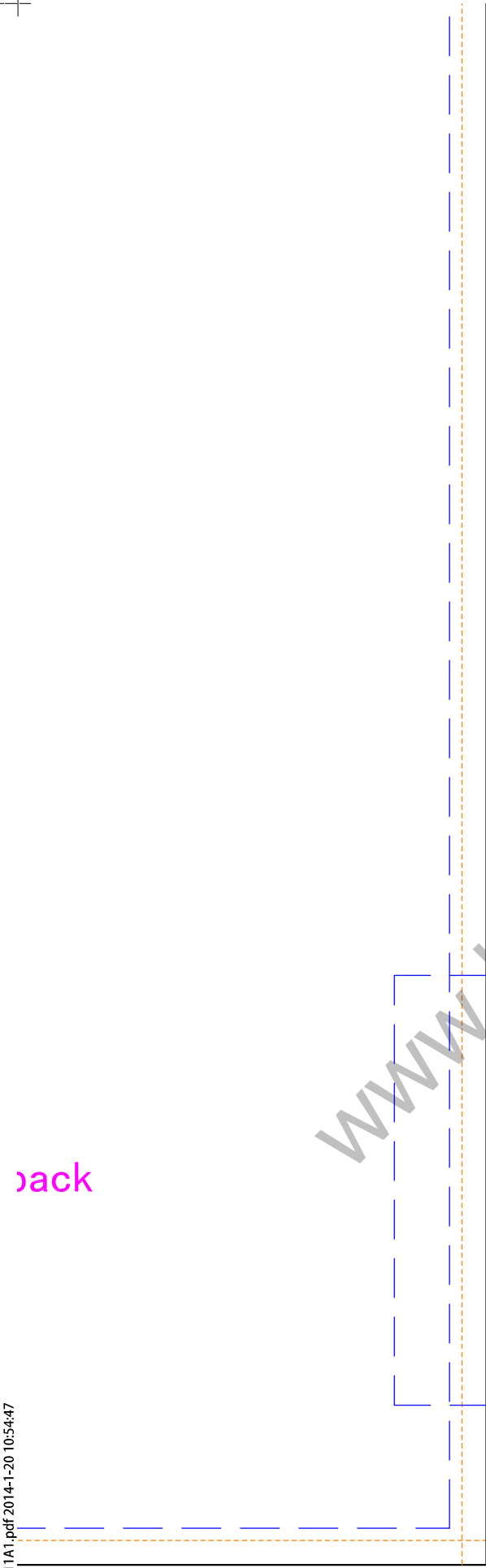
www.lzpattern.com

enfoldment

BDQ-11 strengthening  
leather  
A07

[www.lzpattern.com](http://www.lzpattern.com)

jack

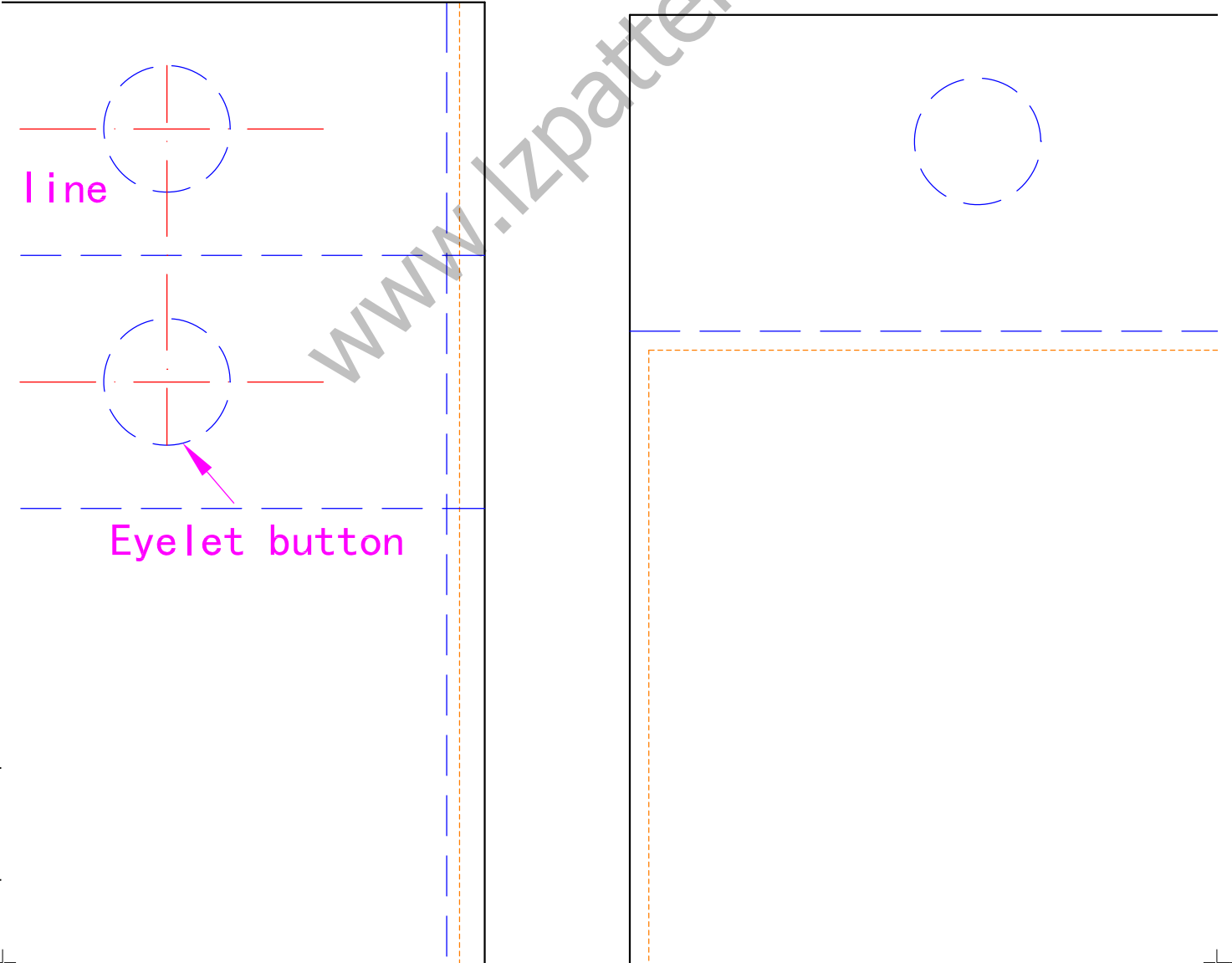


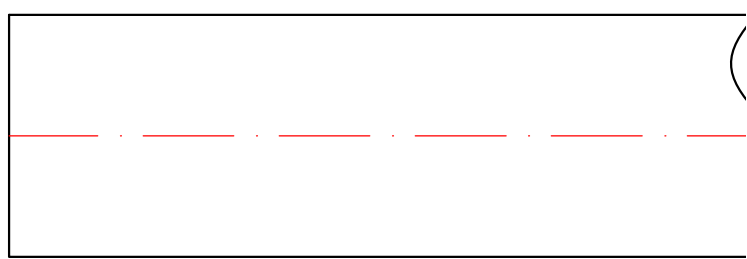
BDQ-11 connect  
leather  
A05

www.lzpattern.com



www.lzpattern.com

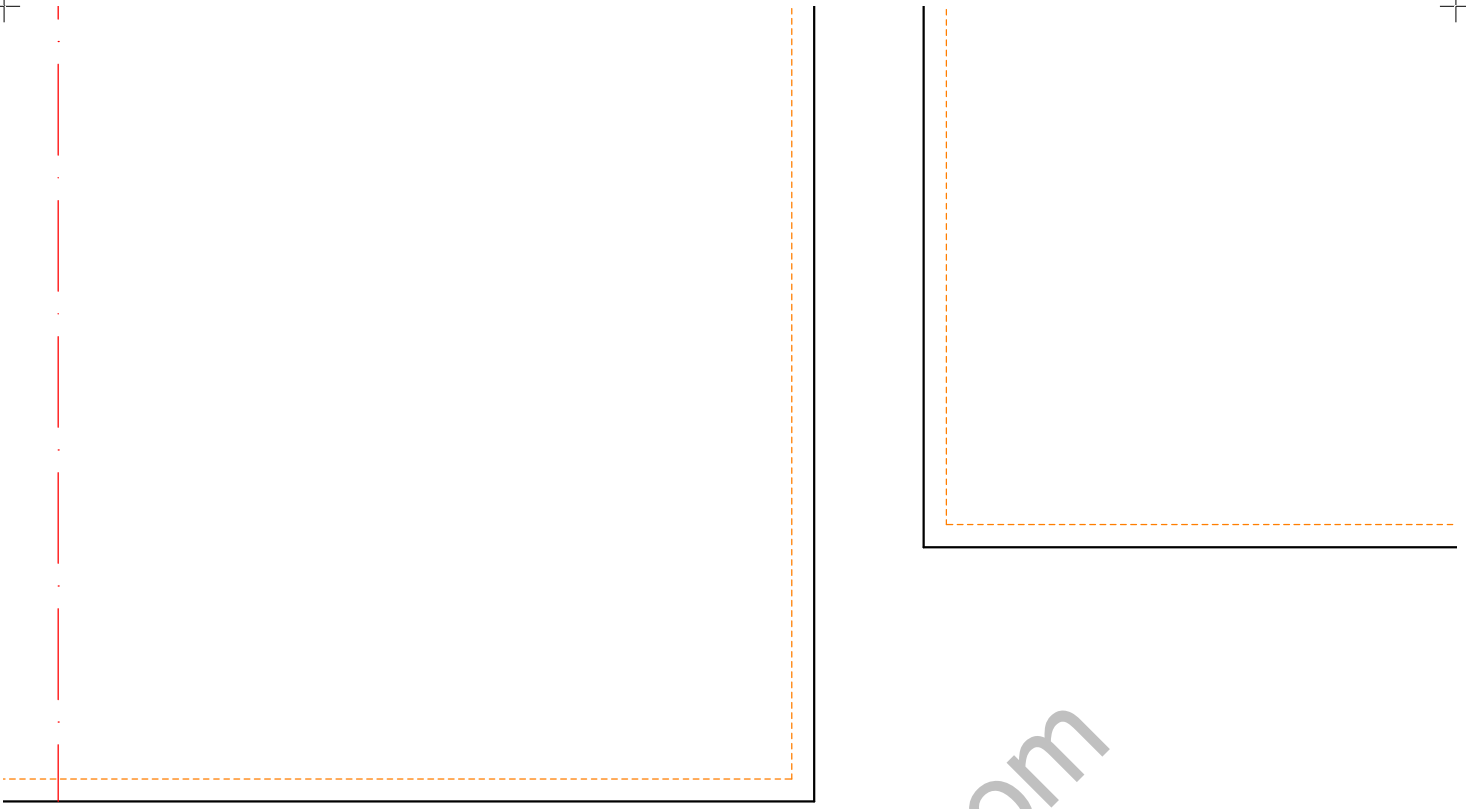




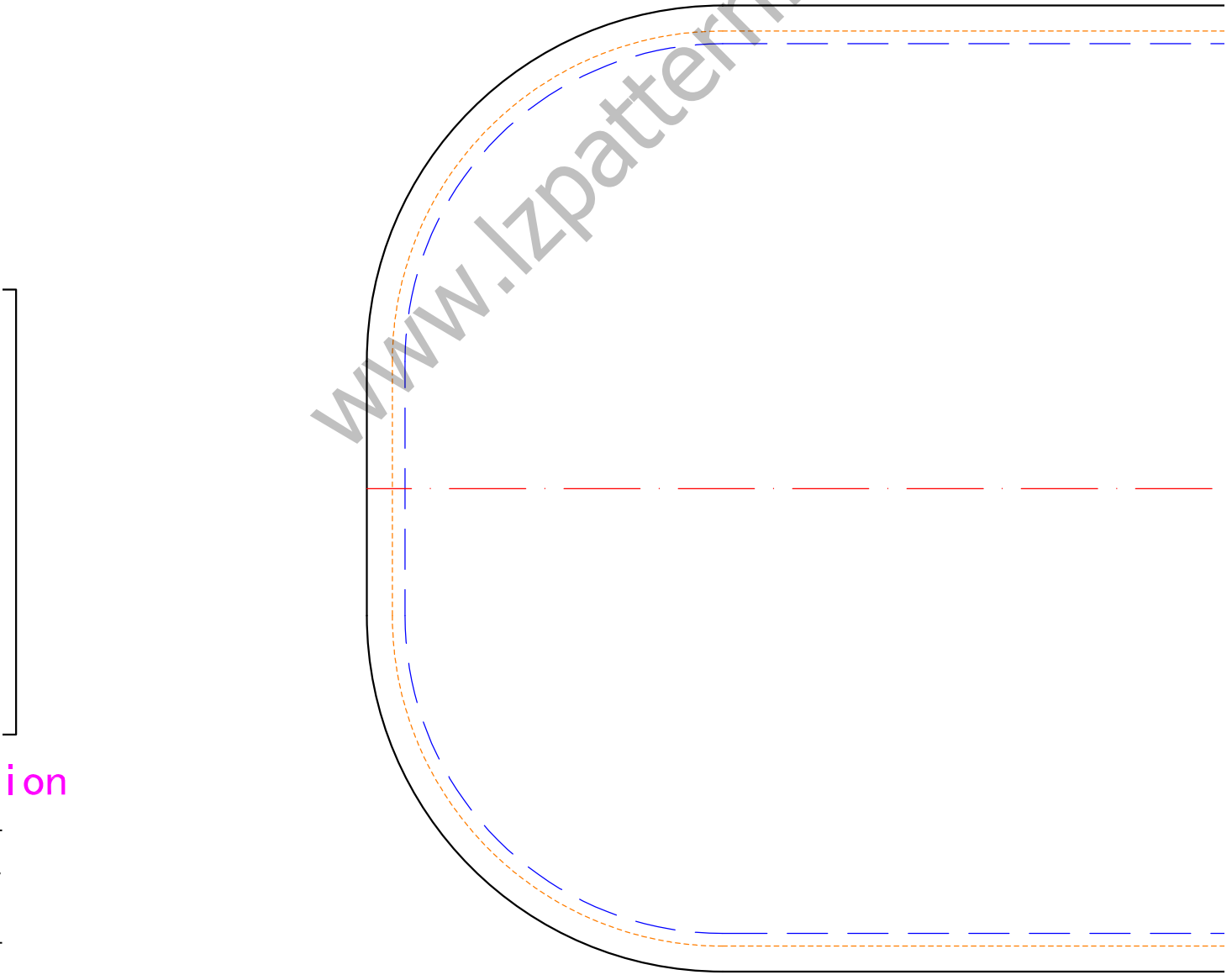
BDQ-11  
AC  
Freedom to

www.lzpattern.com

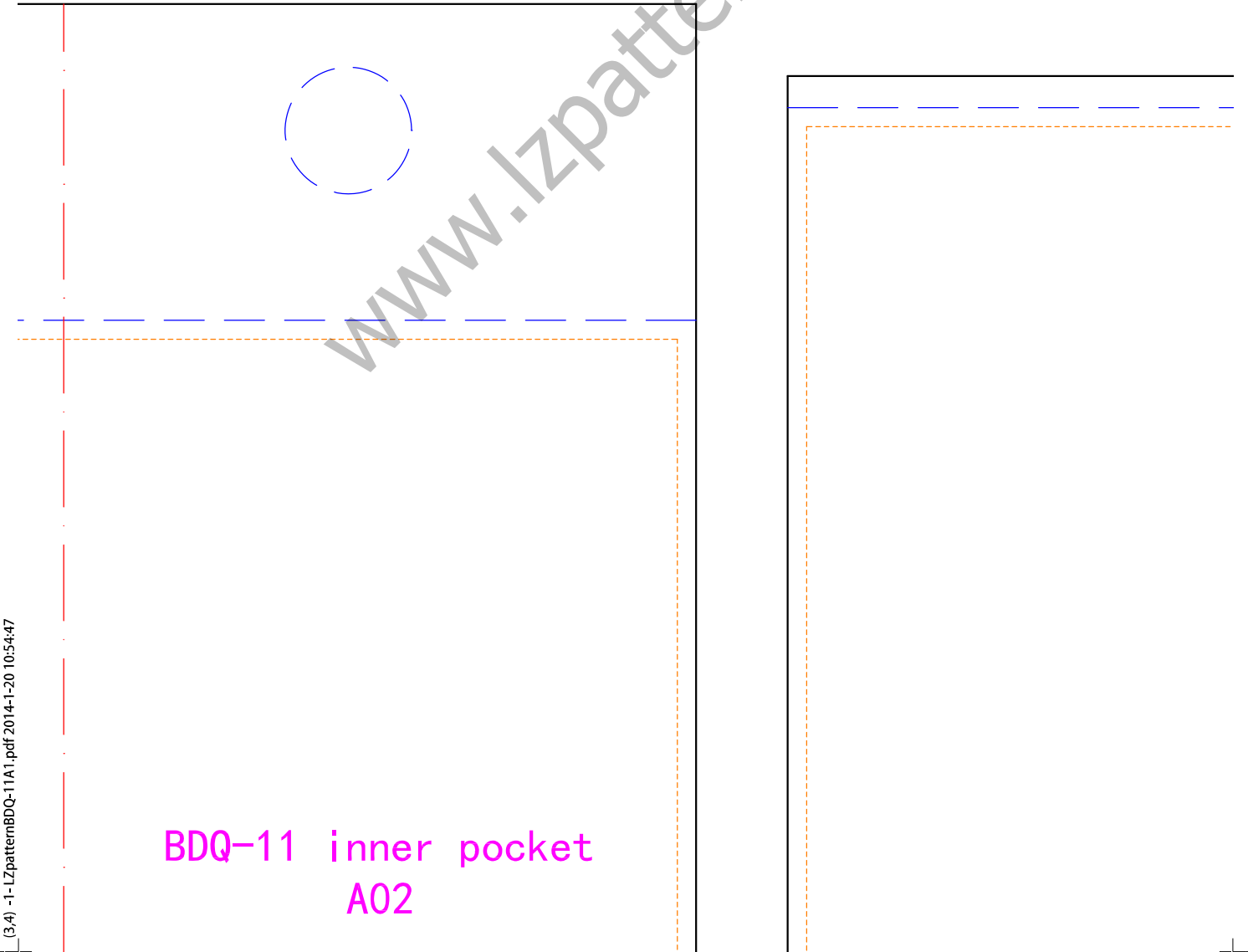




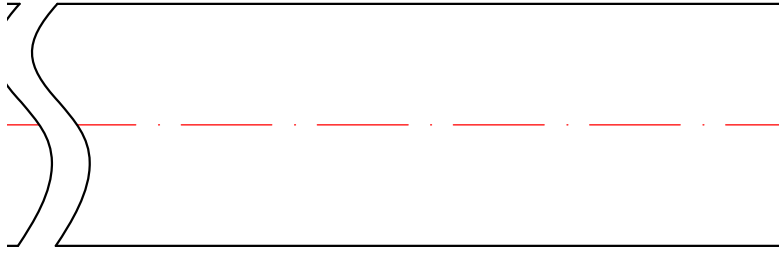
www.lzpattern.com



ion



BDQ-11 inner pocket  
A02



Belt

18

determine

www.lzpattern.com

BDQ-11 Bottom  
A04

www.lzpattern.com

www.lzpattern.com

BDQ-11 inner pocket  
A02