

Belt Pipe Holder



**PRINT OUT THE PATTERN ACTUAL SIZE US LETTER
RECOMMENDED THREADS 0.8 MM**

50 MM

2 IN

YouTube Channel



Facebook Group



TreeHousePatternsUK. All Rights Reserved

- HARDWARE -

- 2 x snap 13 mm

Tree House Patterns

Measurement of the leather

You will need to finish this project:

37 cm x 31 cm / 14.56 in x 12.20 in

LEATHER

1.3 mm / 3 oz.

1.6 mm / 4 oz.

1.8 - 2.0 mm / 5 oz.

Tree House Patterns

**For print the pattern out please select the size of the paper.
You will use (A4, A1 or US LETTER)
and then in the printer settings choose actual size.**

Print ×

Printer: Canon TS3300 series Properties Advanced Help ?

Copies: 1 Print in grayscale (black and white) Save ink/toner

Pages to Print
 All Current Pages 1 - 12
[More Options](#)

Page Sizing & Handling ⓘ

Size Poster Multiple Booklet

Fit Actual size Shrink oversized pages Custom Scale: 100 %

Choose paper source by PDF page size


Print on both sides of paper

Orientation:
 Auto Portrait Landscape

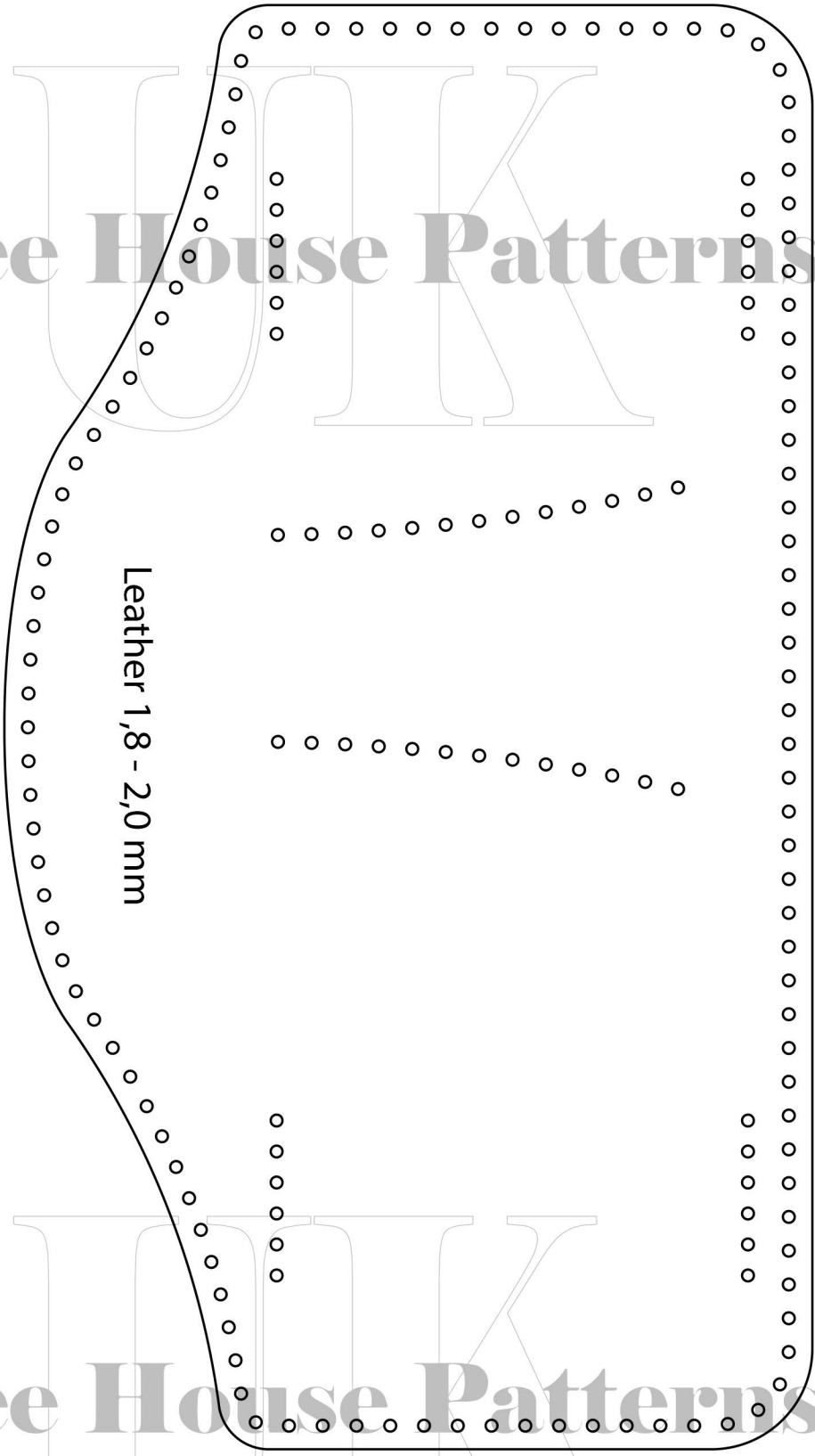
Comments & Forms
Document and Markups Summarize Comments

Page Setup... Print Cancel

Document: 8,3 x 11,7in
8,27 x 11,69 Inches



Tree House Patterns

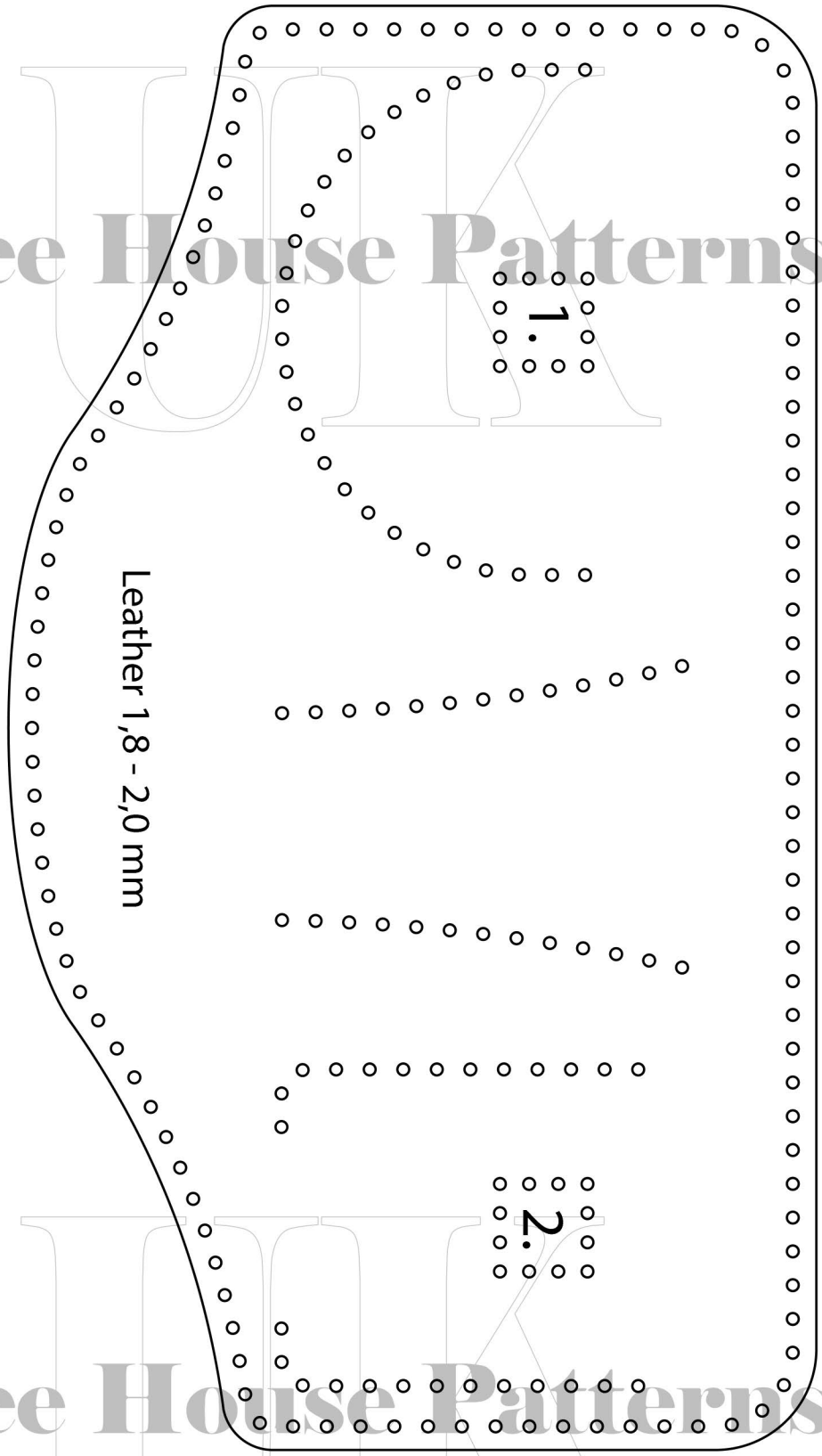


Leather 1,8 - 2,0 mm

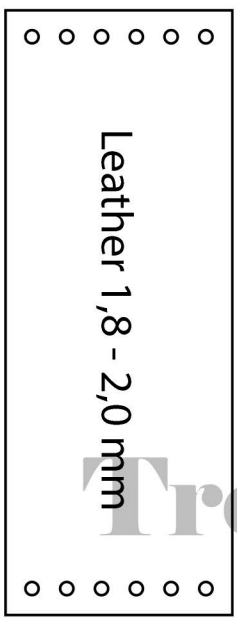


Leather 1,8 - 2,0 mm

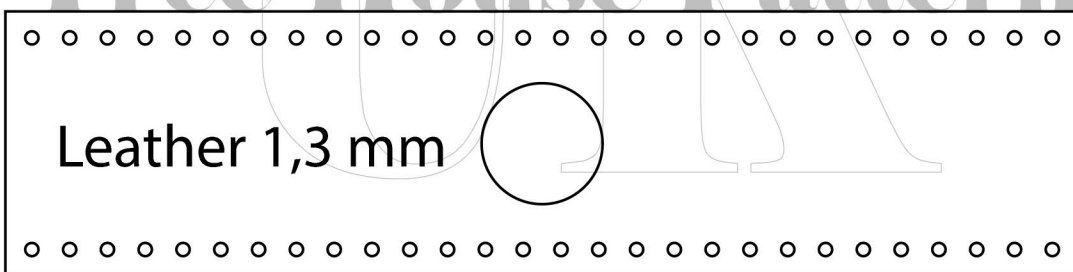
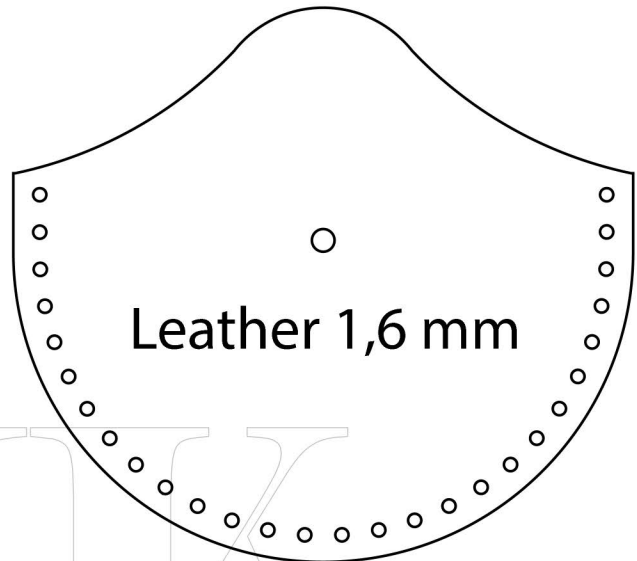
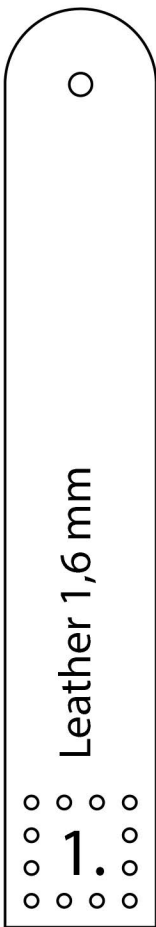
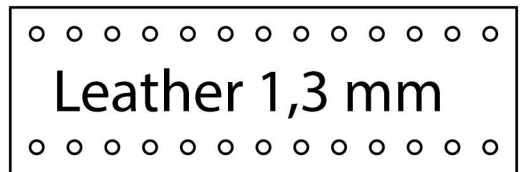
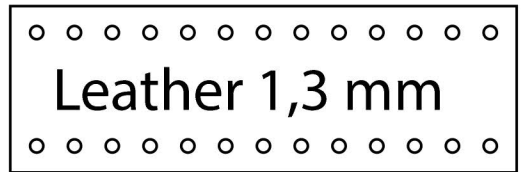
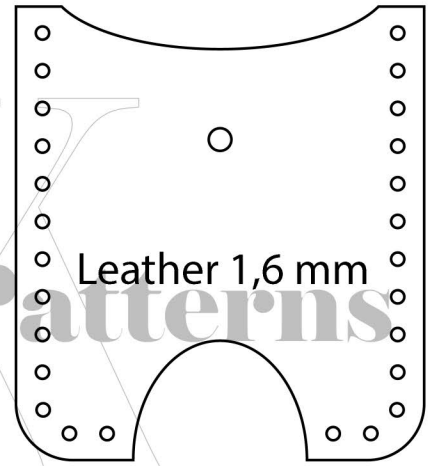
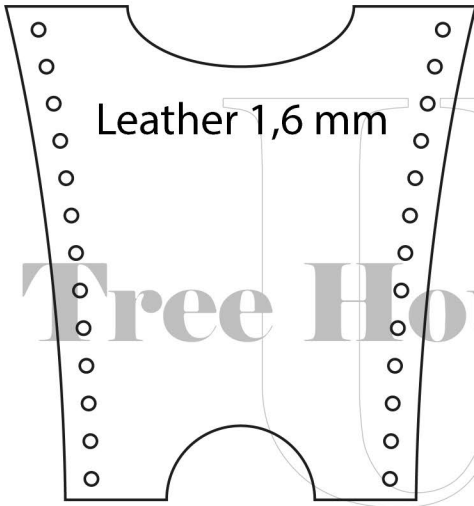
Tree House Patterns



Leather 1,8 - 2,0 mm



Tree House Patterns



Tree House Patterns

**COPYRIGHTS
TreeHousePatternsUK**

**Dear customers,
we would like to inform you
that we allow the sale of physical products
made by you on the basis of our designs in your stationary stores,
online stores or fairs,
as many as You wish.**

**However, we do not agree to the resale
of our templates,
any abuse of this will be reported.**

**We will be pleased if,
by displaying photos of your products
made on the basis of our template,
You will add us as the creator of the project,
or attach a link to the store where
the template was purchased.**

**We are not making SVG files
and please don't ask
us to
convert the PDF files we have
created into an SVG file**

Tree House Patterns