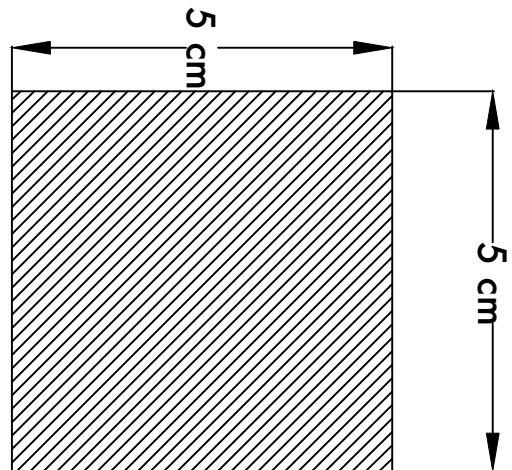
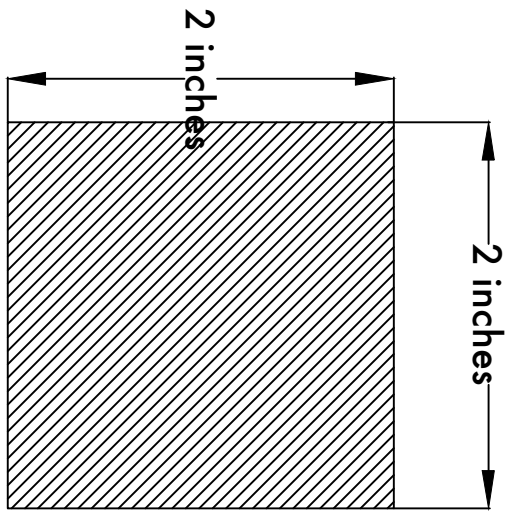


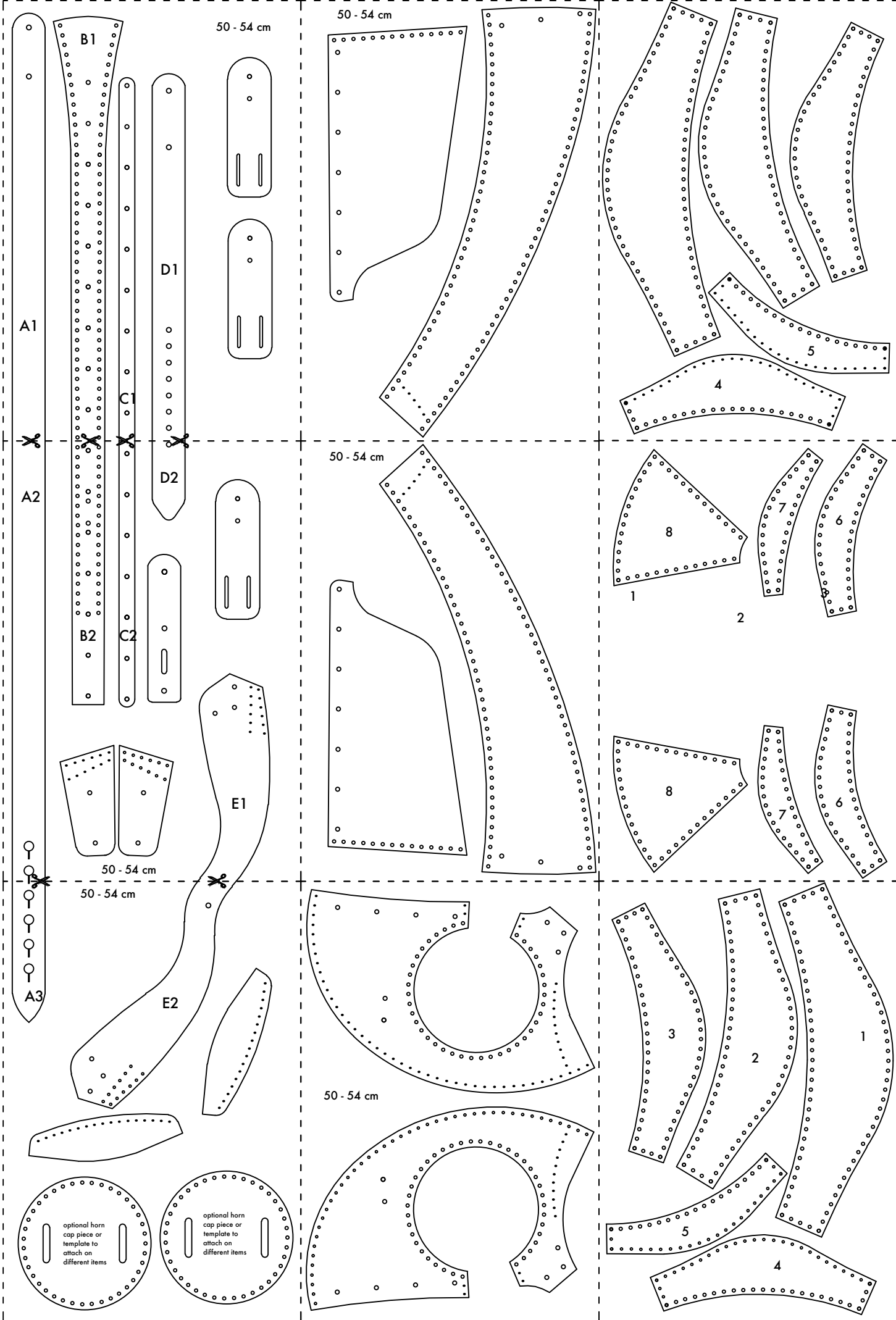
18,2 cm

# Test Page

Select A4 in the paper size printing menu  
Choose "actual size" in the printing preferences  
Make sure these dimensions are correct  
before starting your pattern



7,17 inches



50 - 54 cm

50 - 54 cm

50 - 54 cm

50 - 54 cm

50 - 54 cm

50 - 54 cm

optional horn cap piece or template to attach on different items

optional horn cap piece or template to attach on different items

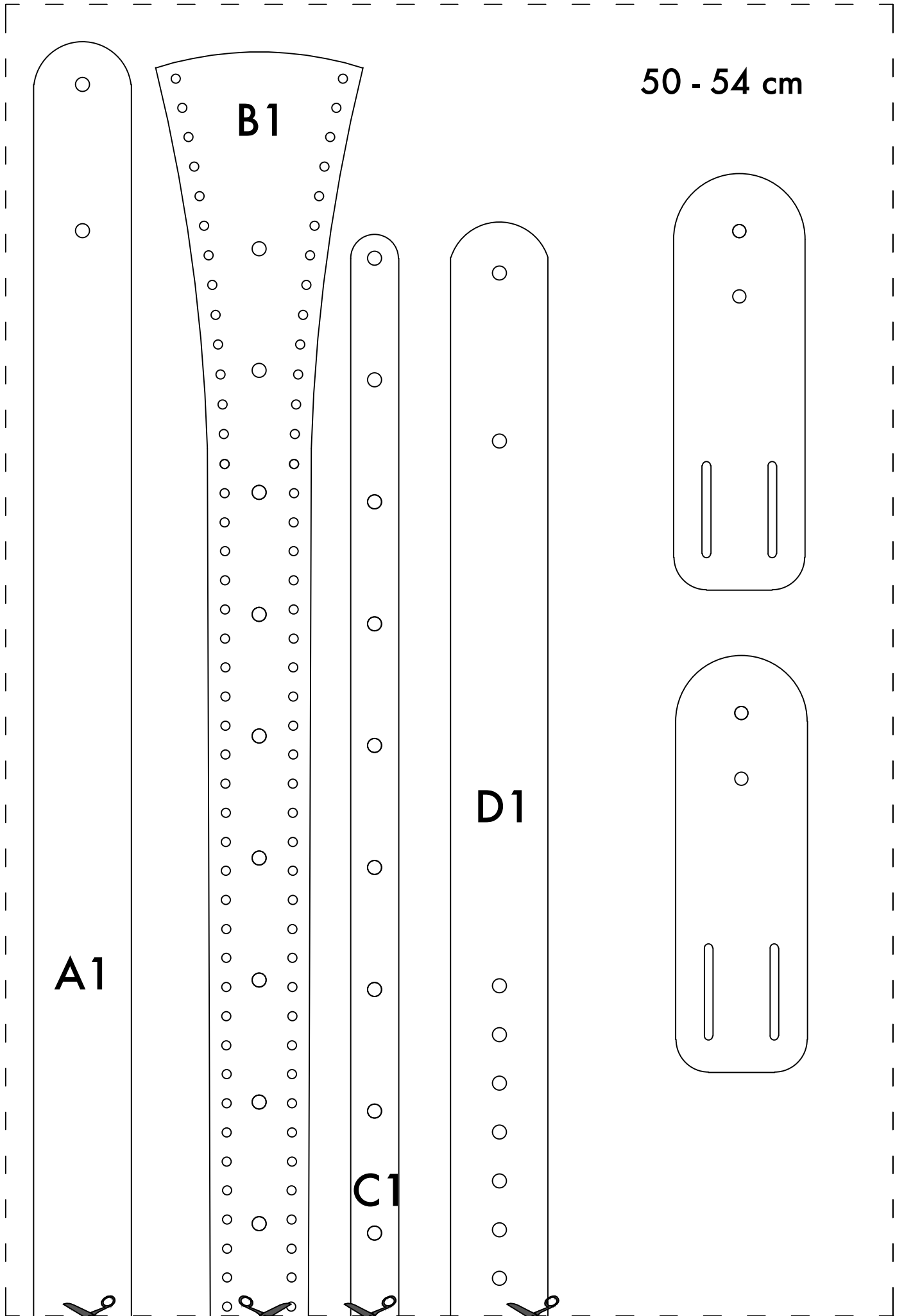
50 - 54 cm

**B1**

**A1**

**C1**

**D1**



**A2**

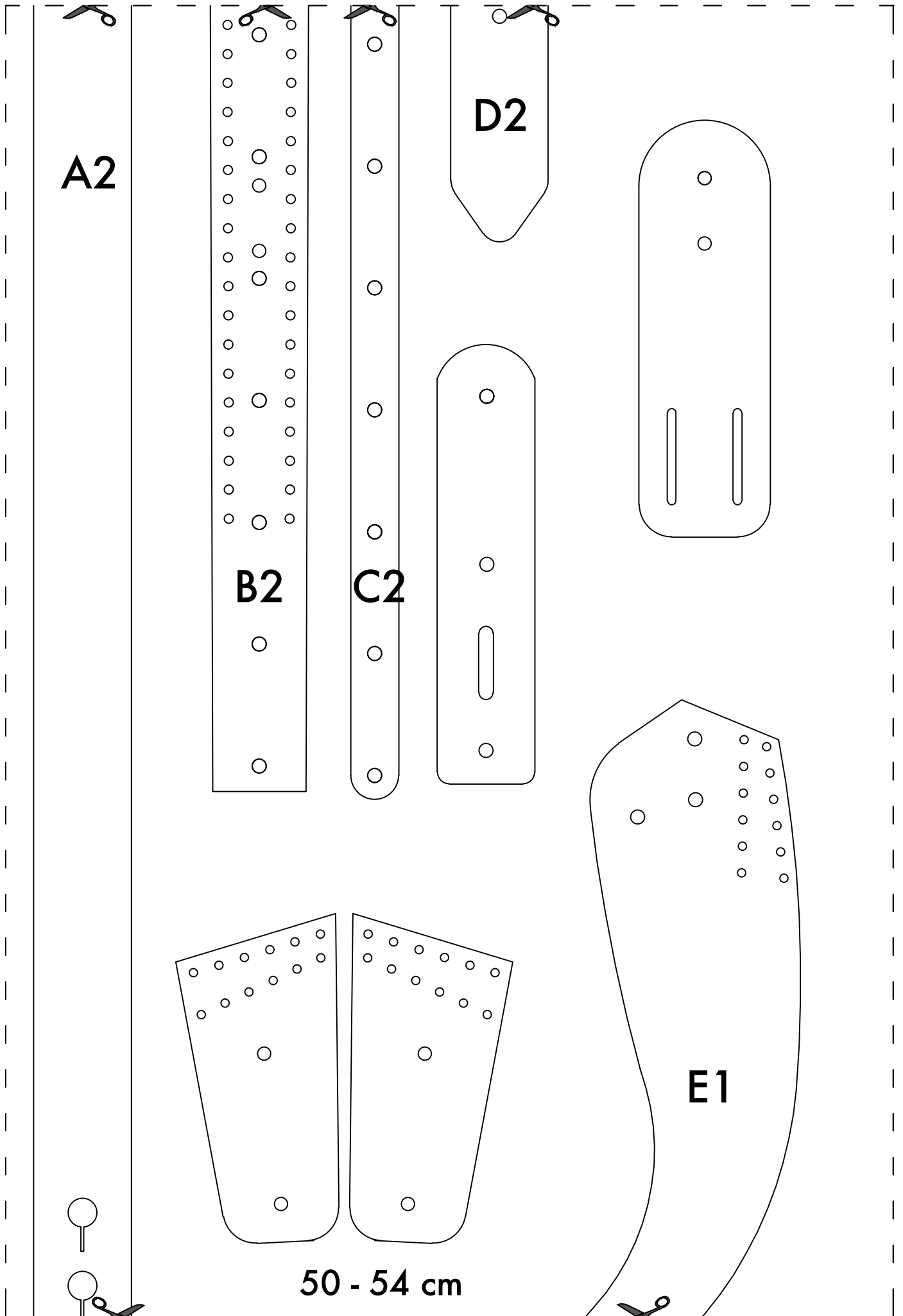
**B2**

**C2**

**D2**

**E1**

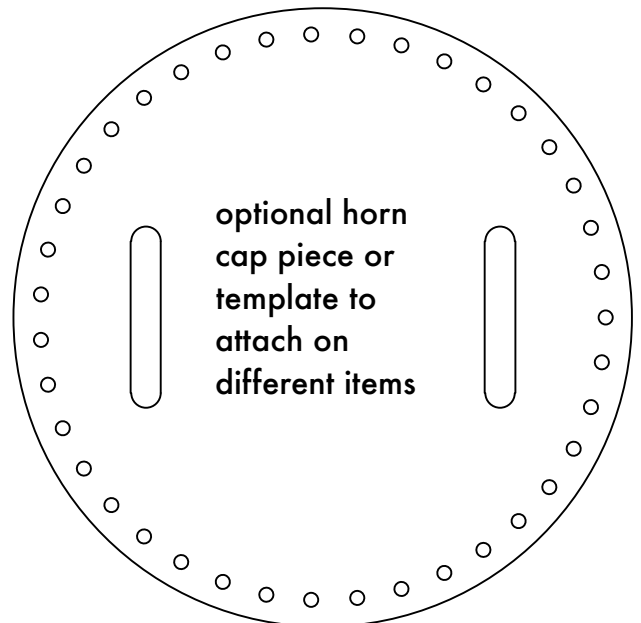
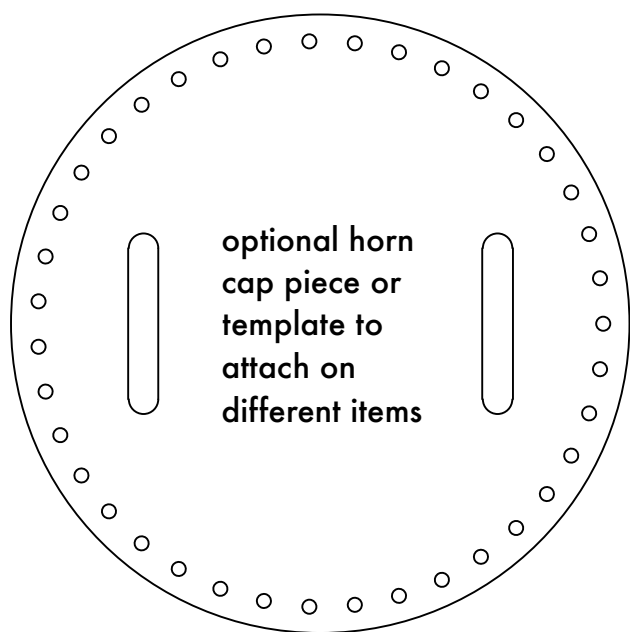
**50 - 54 cm**



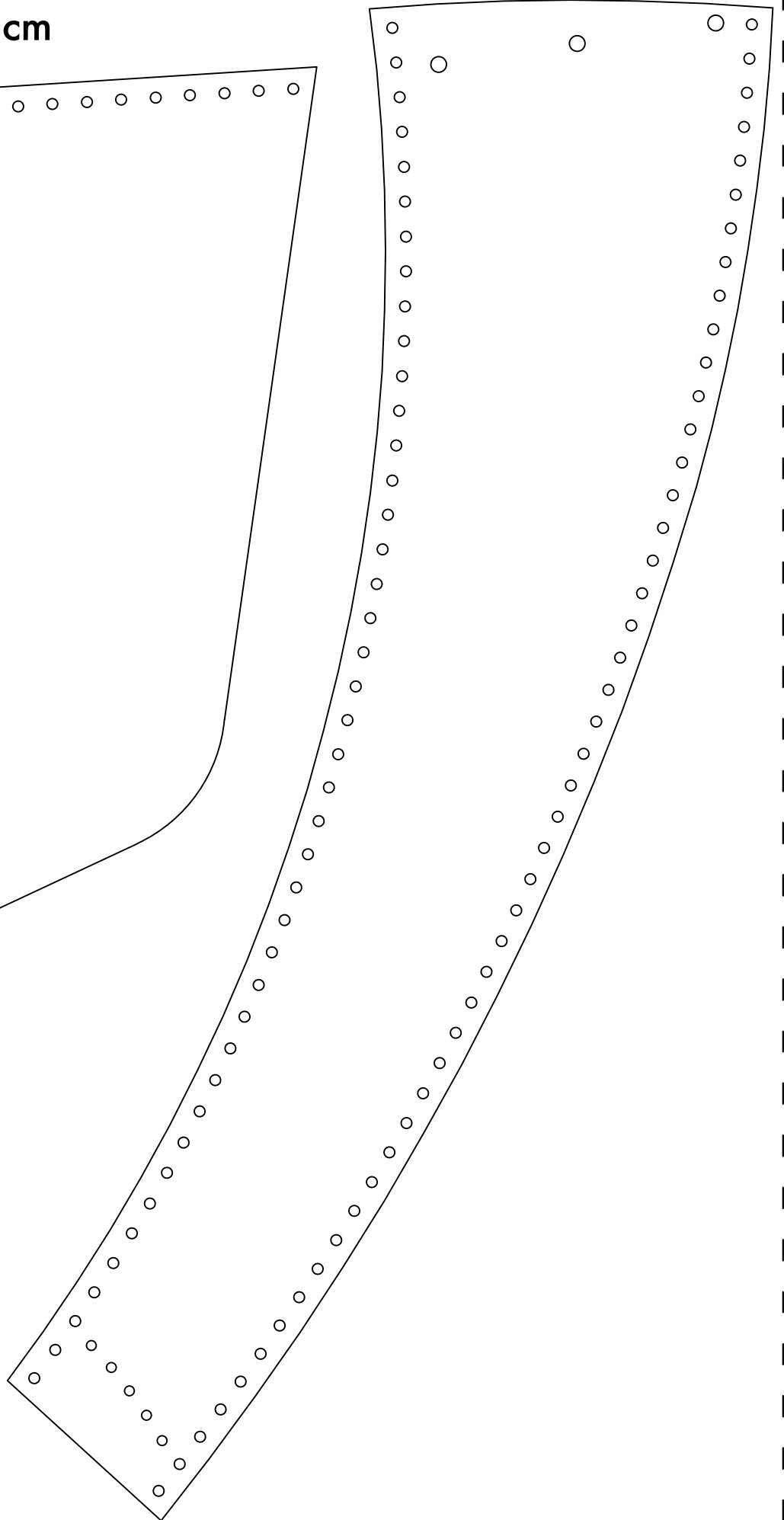
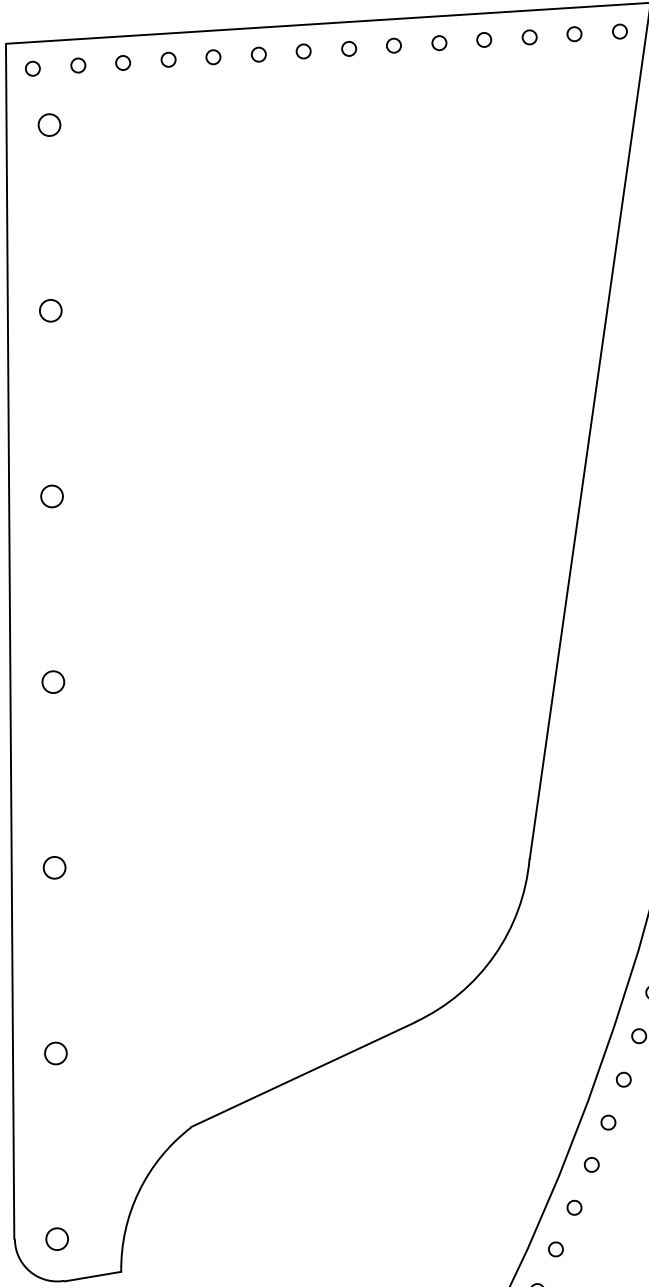
50 - 54 cm

A3

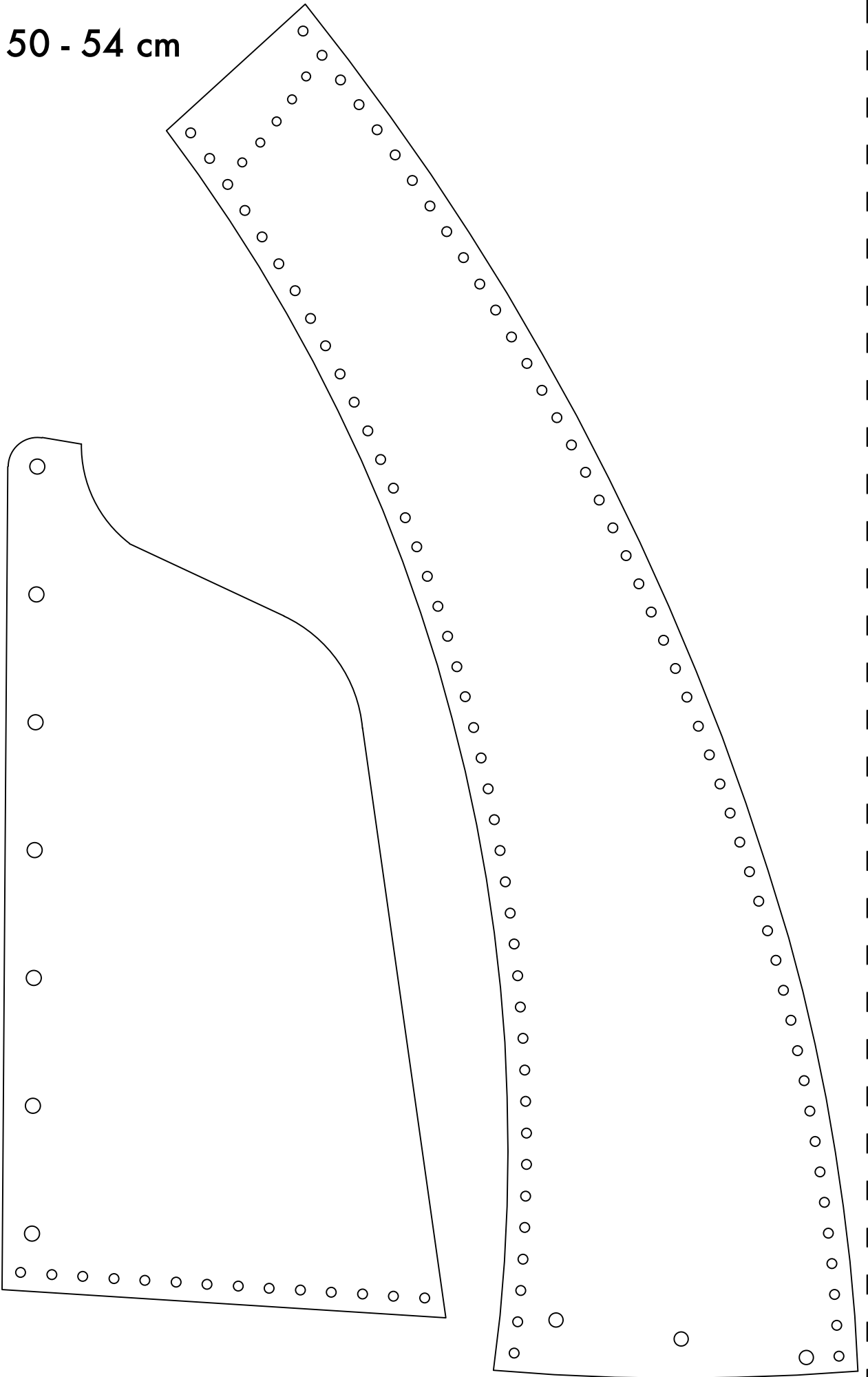
E2

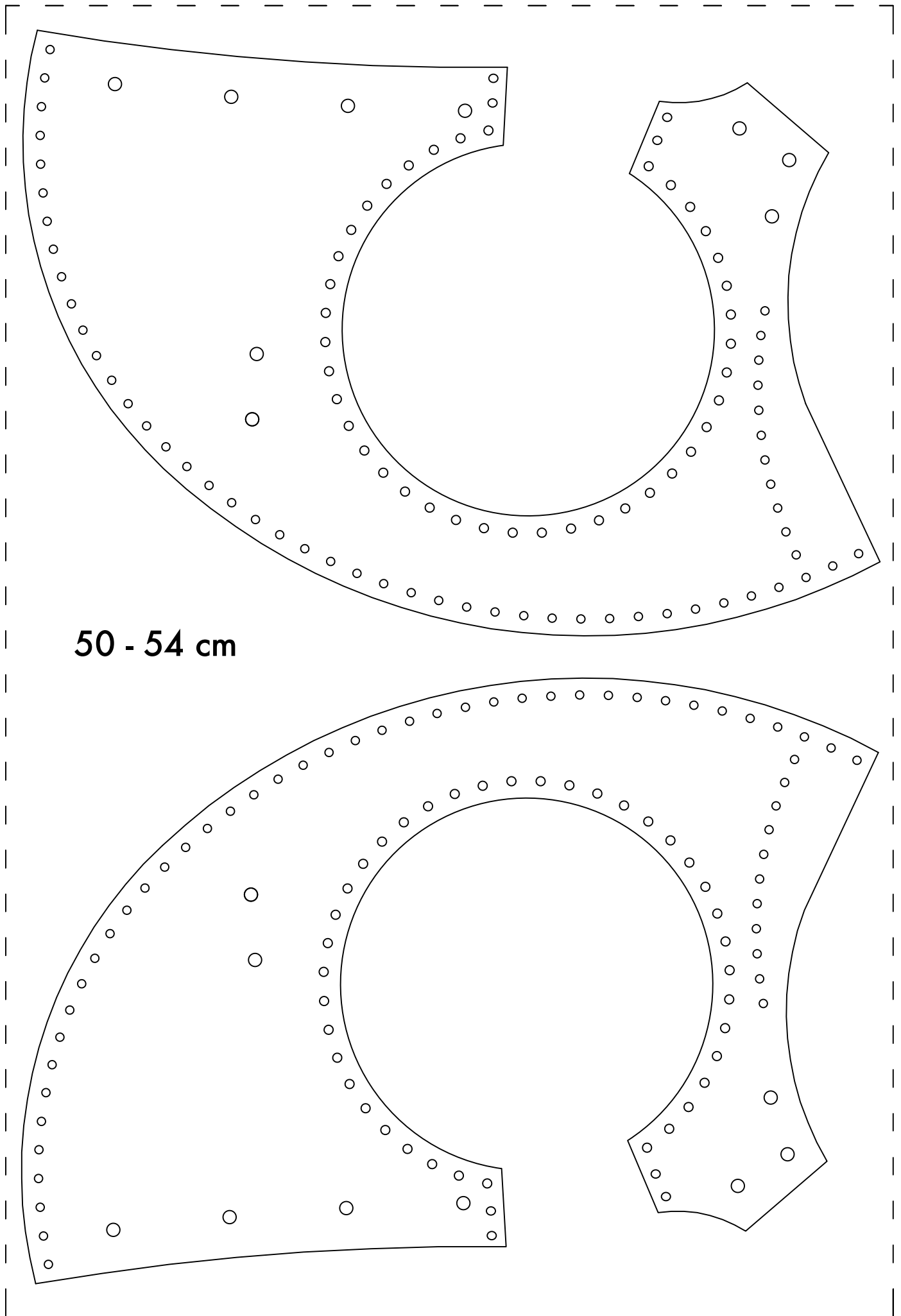


50 - 54 cm



50 - 54 cm





50 - 54 cm



