

SIMPLE WALLET

This pattern is provided by

Plan.B Leather



1. Print at actual size (Scale : 100%)
2. Be sure to check by actual measurement that the length of the printed pattern is the same as the written dimensions.

● GUIDE

 Stitch Line

 Cutting Line

 Cutting After Assemble


 Pattern Cutting Line

 Skiving Line

 Guide Line

 Folding Line

 Gluing Area

 Hole Position

RD : Diameter(mm) of Round

HD : Diameter(mm) of Hole Punch



Select before printing, "Actual Size" or print scale 100% in the printer settings.

● MATERIAL USED

▶ LEATHER

Pueblo Leather (BADALASSI CARLO TANNERY, Italy)

Color : Olmo, Coccinella / Temper : Semi-Stiff

Thickness - all : 1.5mm (3.75oz, 0.059 in)

▶ THREAD

Vynmo MBT

Thickness no : #5(BASE), #8(HANDLE)

Color no : 144

▶ CHISEL

Spacing : 4mm

Type : diamond

★ Set the leather thickness and stitch spacing according to your preference.



▶ Making Video : <https://youtu.be/N7C2xU1U2xc>

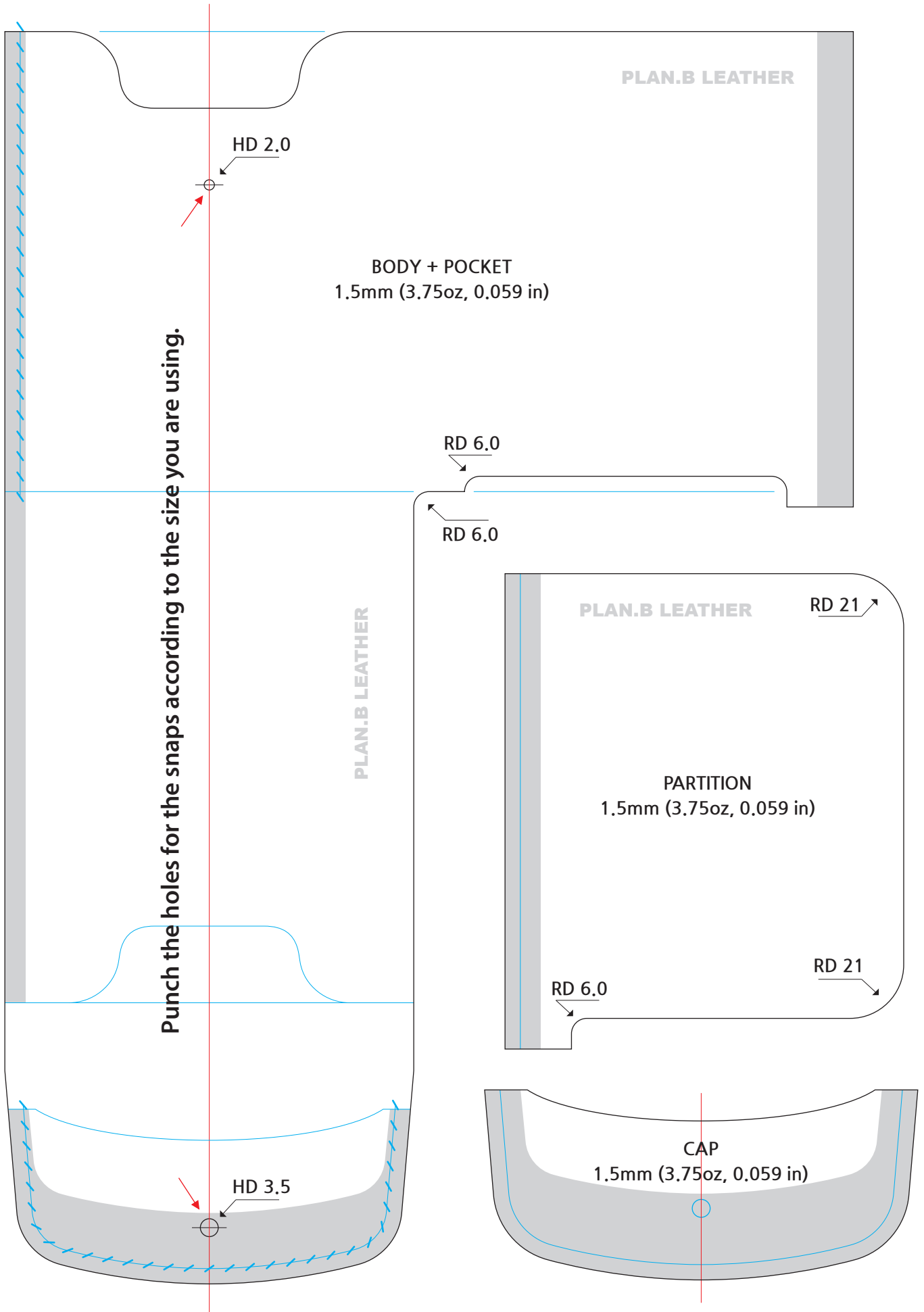
▶ Youtube Channel : <https://youtube.com/@plan.b>

PATTERN

0 1 2 3 4 5 cm

TEST SCALE RULER

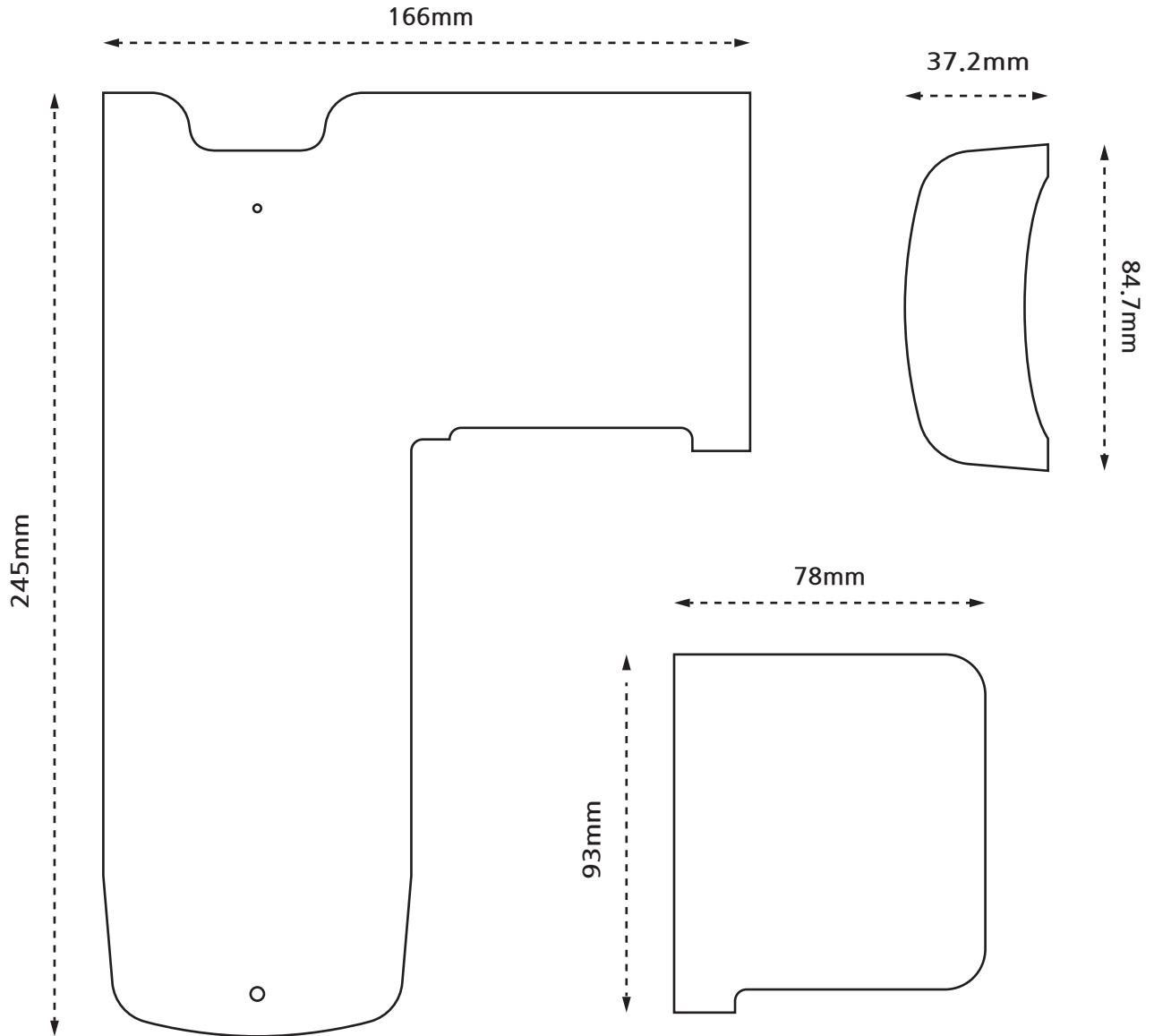
0 1/2 1 1/2 2 in



SIZE

This pattern is provided by

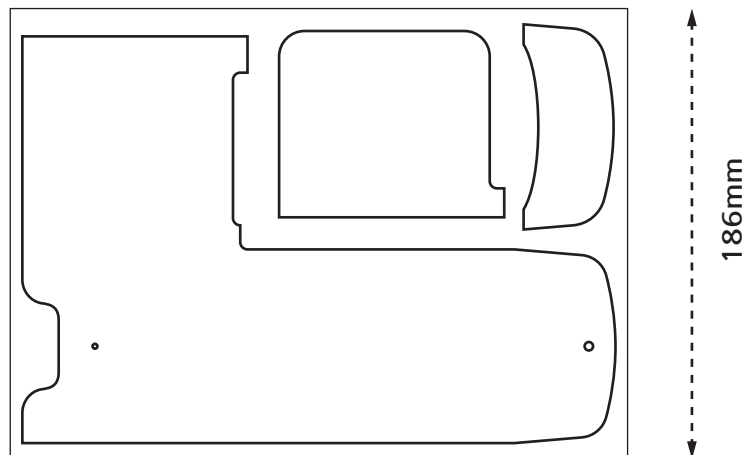
Plan.B Leather



255mm

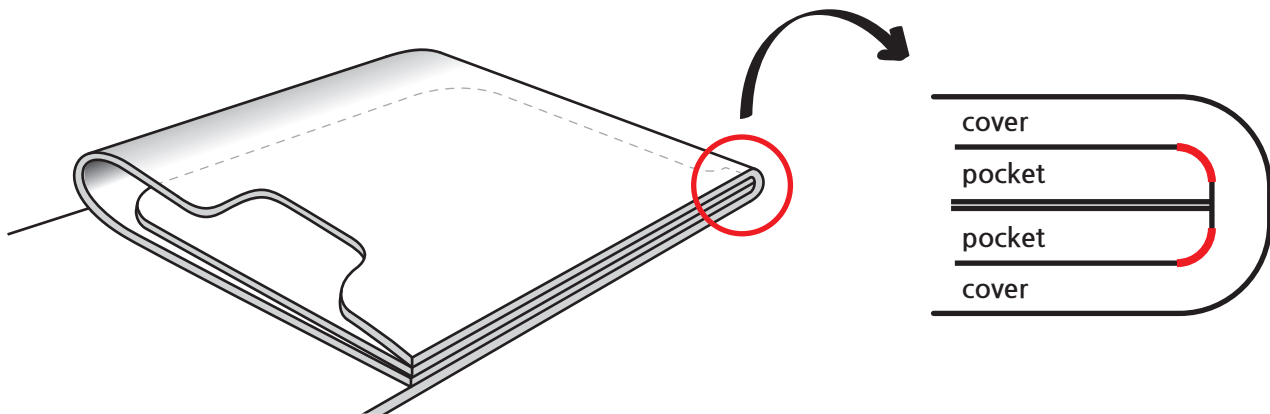
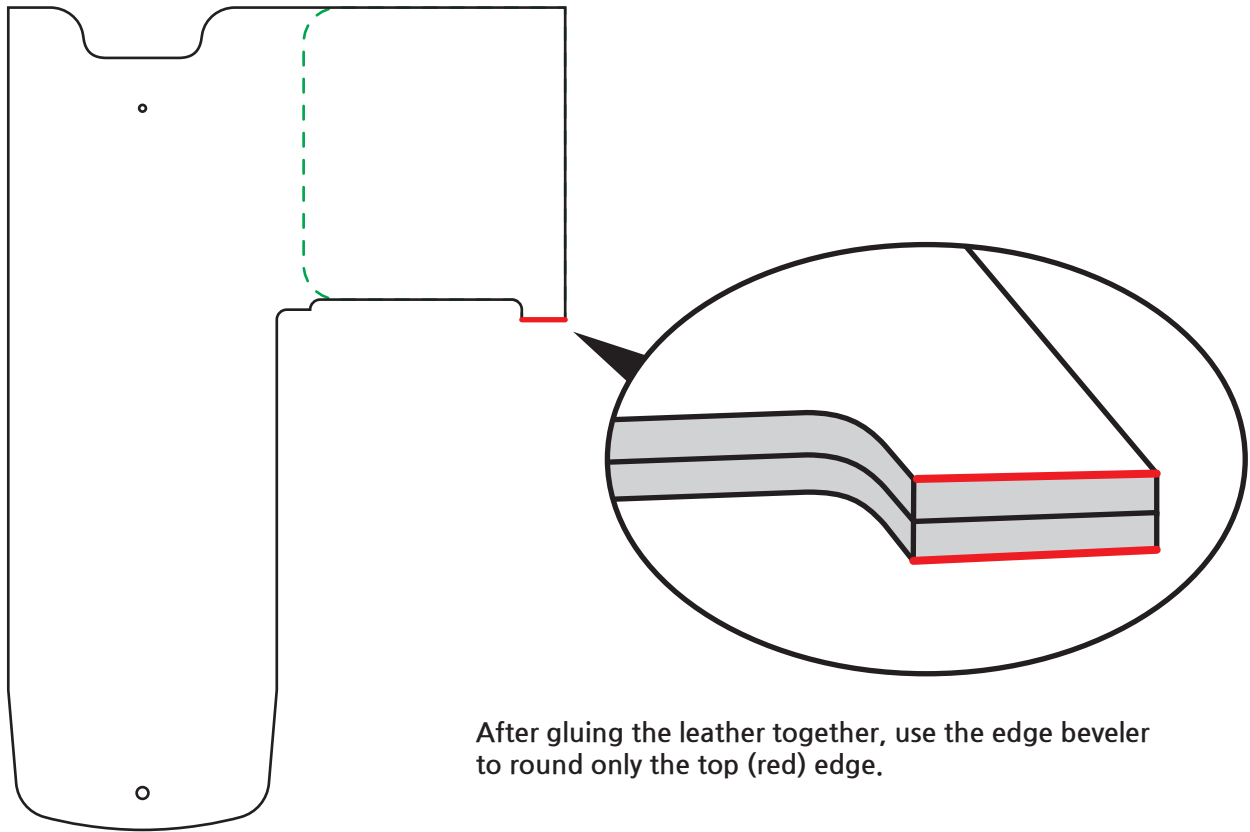
TOTAL SIZE

The size of leather needed to make one wallet.



TIP

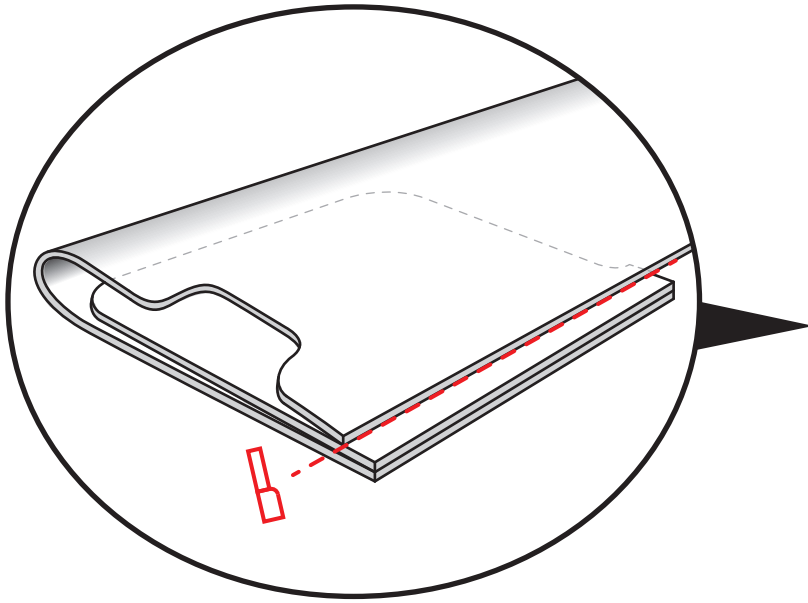
This pattern is provided by
Plan.B Leather



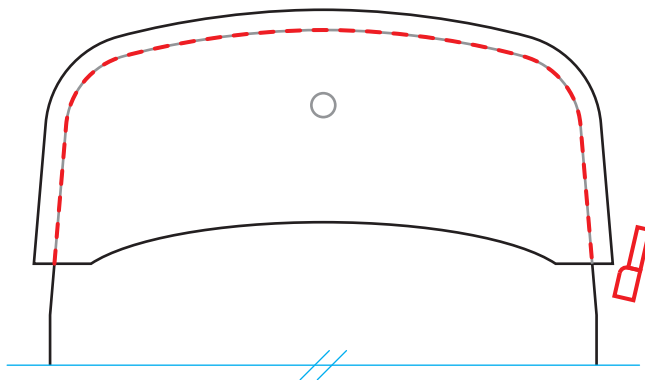
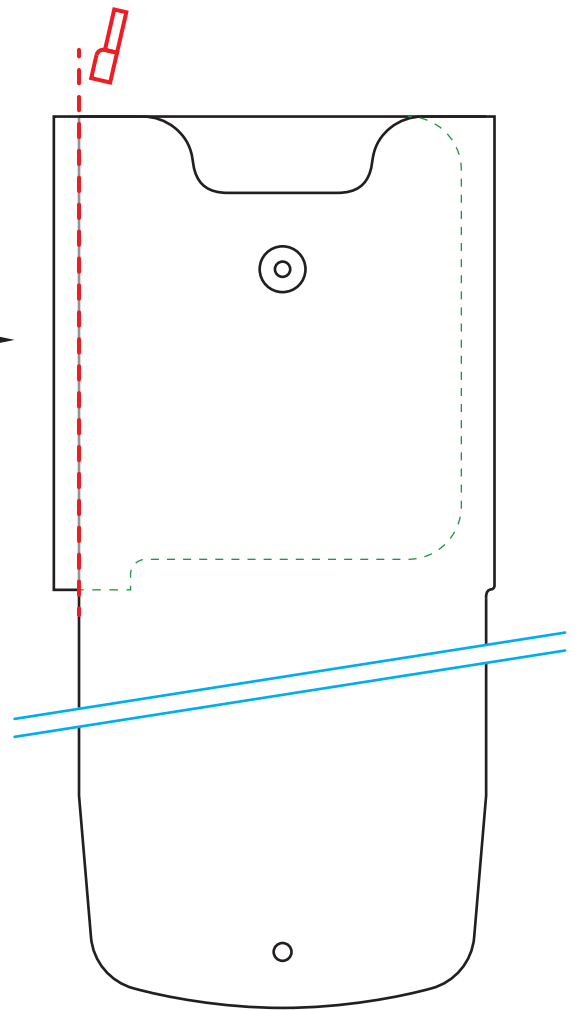
It will create a natural rounded shape when covered with leather later.

TIP

This pattern is provided by
Plan.B Leather



After gluing the leather together, trim off the excess parts.

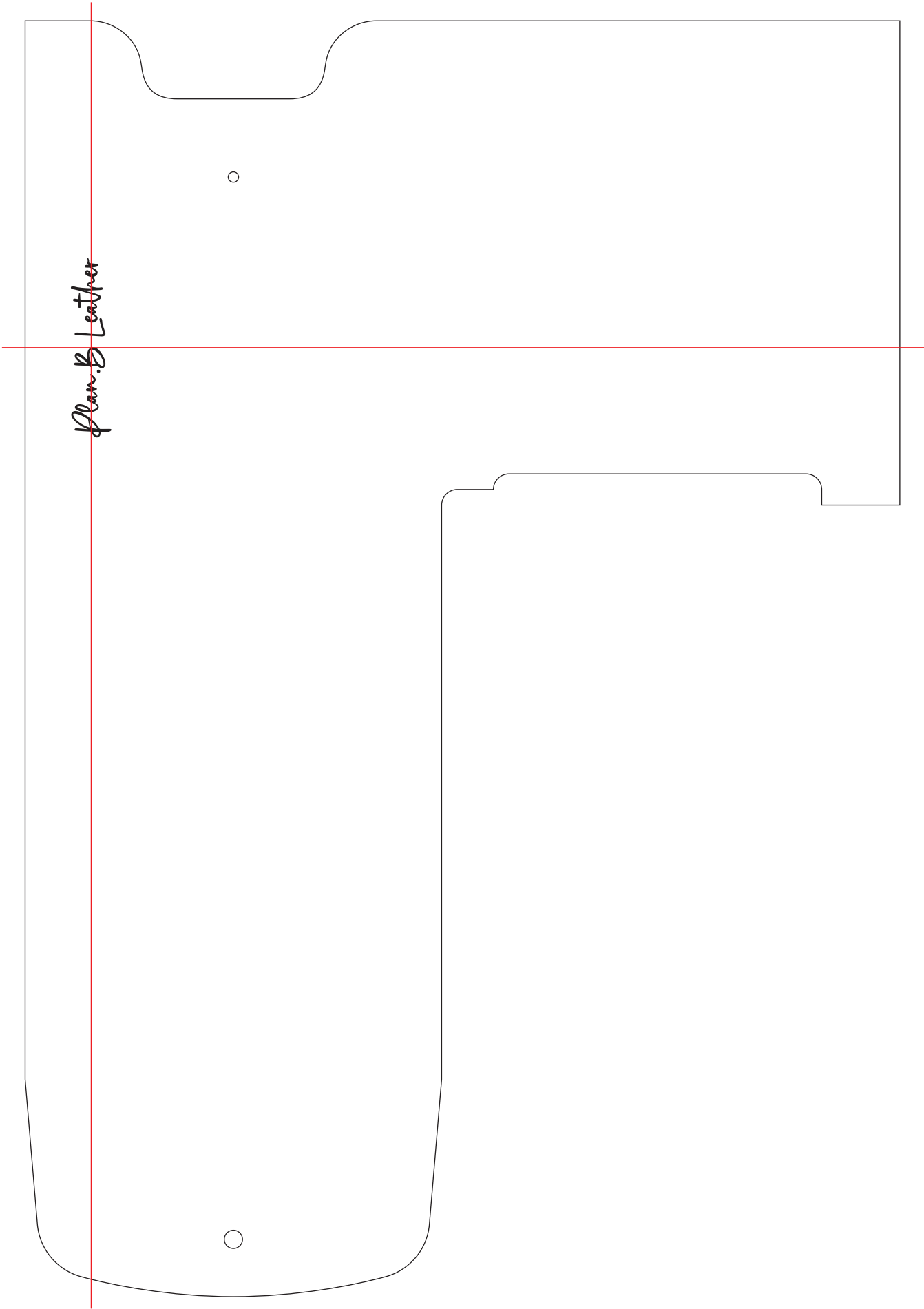


After gluing the leather together,
trim off the excess parts.

STAMP POSITION

This pattern is provided by

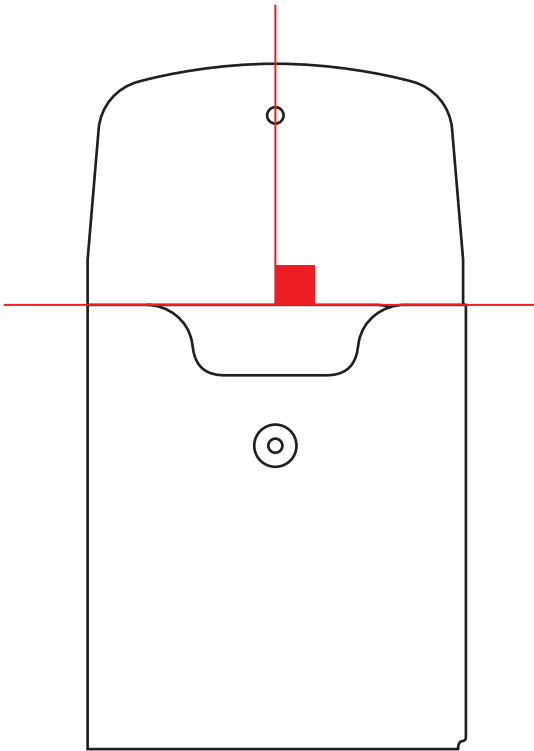
Plan.B Leather



TIP

This pattern is provided by

Plan.B Leather



While folding the POCKET and attaching it to the BODY, ensure that it is aligned properly both vertically and horizontally.

Thank You For Your Purchase!